

**WOHELL**

be-GOTTA

**HELLDACH**

**VON BËSSE**

**GUHHER**<sup>®</sup>  
ALÜMİNYUM TEKNOLOJİLERİ



[www.guhher.com](http://www.guhher.com)

Aluminum



Stainless  
Component



Motorized  
System



Remote  
Control



2 Years  
Warranty



Tempered  
Glass



Eco  
Friendly



Water  
Proof



Insulation



CE  
Certificated







# BIOCLIMATIC & ROLLING ROOF



BIOCLIMATIC  
ROLLING ROOF  
PERGOLA  
GUILLOTINE

**GUHHER**  
ALÜMİNYUM TEKNOLOJİLERİ



[www.guhher.com](http://www.guhher.com)

**GUHHER**<sup>®</sup>  
ALÜMİNYUM TEKNOLOJİLERİ

## Introduction and performance

The **GUHHER** retractable bioclimatic aluminium pergola system provides a comfortable outdoor coating to its users with its design that allows outdoor use in all seasons of the year and all weather conditions.

The system is designed to withstand even severe weather conditions such as strong winds, the worst rain, hail or excessive sunny light. The system has been sized according to its design using high grade 10 M extruded aluminium profiles that provide superior performance for exterior product applications.

For all professional use, surface protection against environmental conditions is provided with thermoset powder coating. To ensure longer system life, all bolts, screws and pins are chosen from high-grade stainless steel or surface-coated alloy steel materials. The **GUHHER** roof panel profiles have been designed with unique water guard side channels and cast aluminium and plates to allow for widths up to 7 m per system.

Projections are customized according to site requirements and available in any size up to 8.5 m.

The system is remotely controlled and protects up to 24 square meters.

but it is also possible to connect multiple systems when required. It is possible and easy to use in all weather conditions with the profile and joining kits with a unique design that provides 100 % waterproof joining at all times.

The system has an integrated gutter system designed to carry away even the heaviest rain smoothly. Also, a unique roof panel profile design with a special geometry is presented to transfer water easily to the gutter by flowing over the roof panels.

A comfortable living space is offered to users with a specially produced direct drive motor system to provide smooth and quieter operation with remote-controlled motorization.

While the LED lighting system provides practicality and flexibility of use, it allows the user to change the brightness settings of the environment with the remote control light setting the request.

The system movement is provided by a trigger belt that contains a three-layer barrier system and is reinforced with multiple internal stainless-steel cables. Lamella joint pins at both ends of the Lamella provide linear movement of lamellae within the rafter profile.

Many lamella drive sheets support the drive system. The motor drive is transferred to the panels with the Lamella drive plates and the trigger belt, so that the drive system allows the roof panels to be opened gradually up to (Bioclimatic 105 degrees / Rolling 60 degrees), allowing the roof panels to be arranged side by side at the rear.

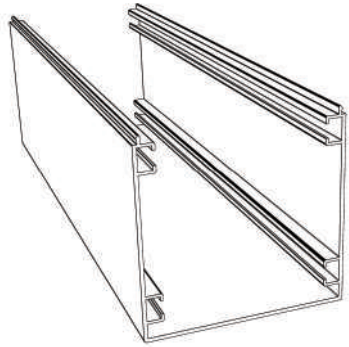
In addition, the roof panels can be filled with foam, according to the customer's request, to increase heat and sound insulation.

We focus on all the details in every system we design to provide the highest level of protection. Systems are formed as standard with unique designs in all parameters.

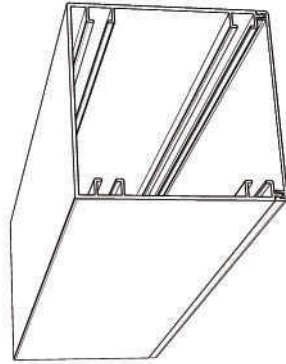




## The Main Parts of Aluminum Used in Bioclimatics

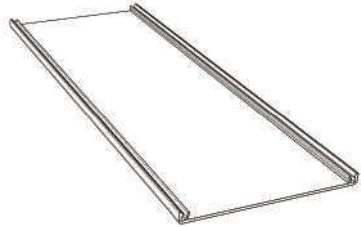


GU 3174  
4,198 kg/m

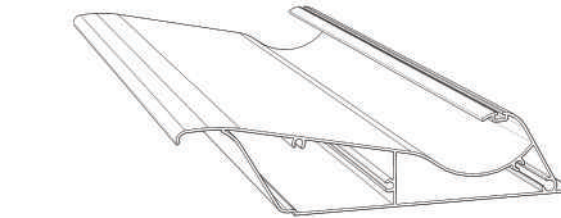


GU 3174  
4,198 kg/m

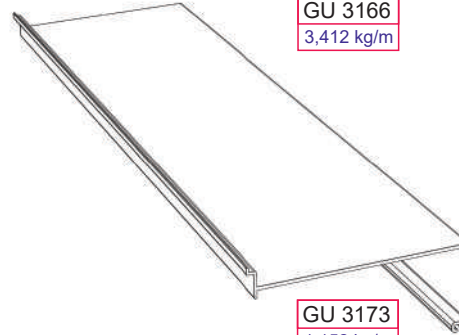
GU 3175  
1,084 kg/m



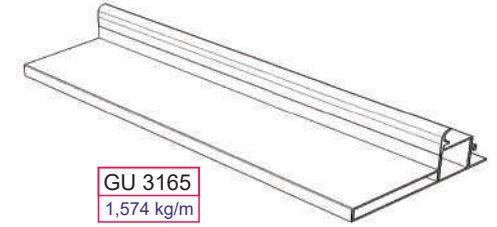
GU 3175  
1,084 kg/m



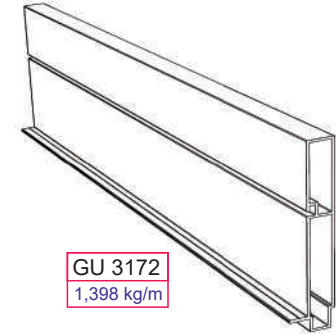
GU 3166  
3,412 kg/m



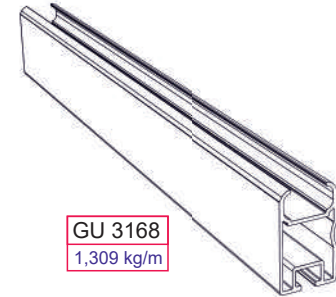
GU 3173  
1,152 kg/m



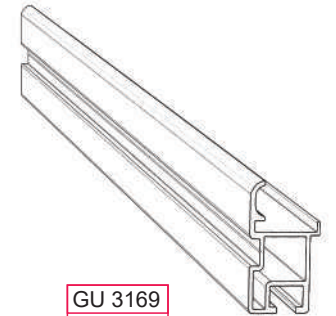
GU 3165  
1,574 kg/m



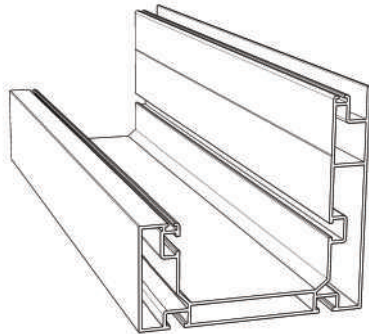
GU 3172  
1,398 kg/m



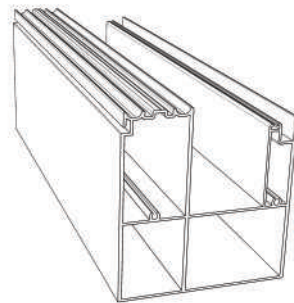
GU 3168  
1,309 kg/m



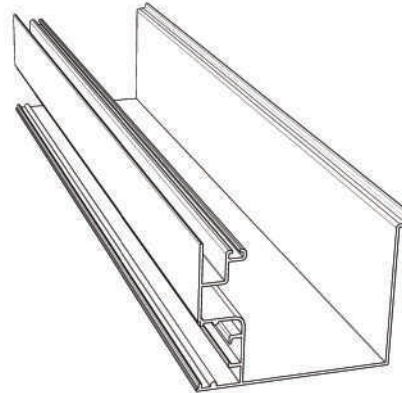
GU 3169  
1,135 kg/m



GU 3171  
4,691 kg/m



GU 3170  
4,859 kg/m



GU 3167  
1,558 kg/m



Powered by an electric motor and sealed with high quality gasket plugs, providing a completely airtight space which can be used in all weather conditions.

The motorized roof consists of rotatable aluminum panels

GU 3166



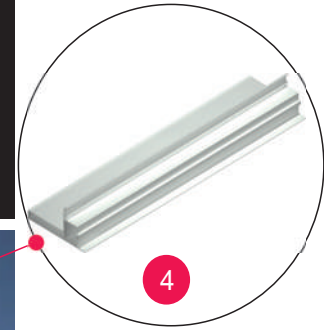
GU 3172



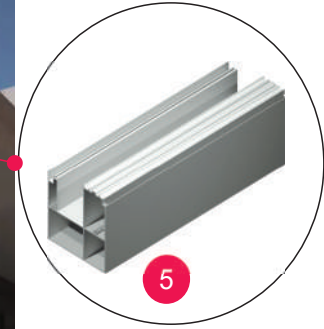
GU 3171



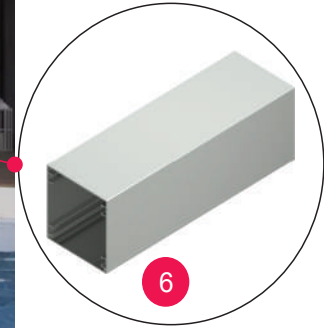
GU 3165



GU 3170



GU 3174



1 Panel

4 Connection Part of Rail

2 Cover

5 Rail

3 Gutter

6 Pillar



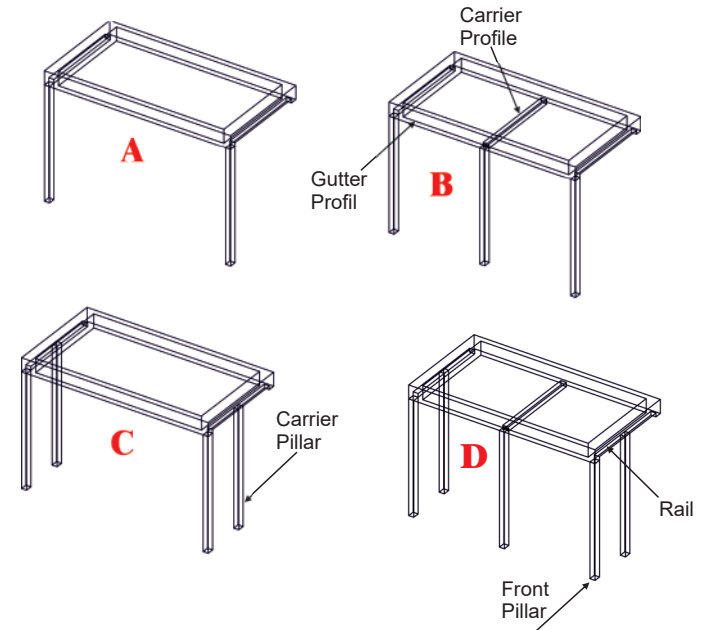
[www.guhher.com](http://www.guhher.com)

**GUHHER**<sup>®</sup>  
ALÜMİNYUM TEKNOLOJİLERİ

CALCULATE STRUCTURE OF ROLLING ROOF SYSTEMS

Projection / mm	Width / mm									
	MIN	3000	3500	4000	4500	5000	5500	6000	6500	7000
3000	A	A	A	A	B	B	B	B	B	B
3500	A	A	A	A	B	B	B	B	B	B
4000	A	A	A	A	B	B	B	B	B	B
4500	A	A	A	A	B	B	B	B	B	B
5000	A	A	A	A	B	B	B	B	B	B
5500	A	A	A	A	B	B	B	B	B	B
6000	A	A	A	A	B	B	B	B	B	B
6500	C	C	C	C	D	D	D	D	D	D
7000	C	C	C	C	D	D				
7500	C	C	C	C	D	D				
8000	C	C	C	C						
8500	C	C	C	C						
										MAX

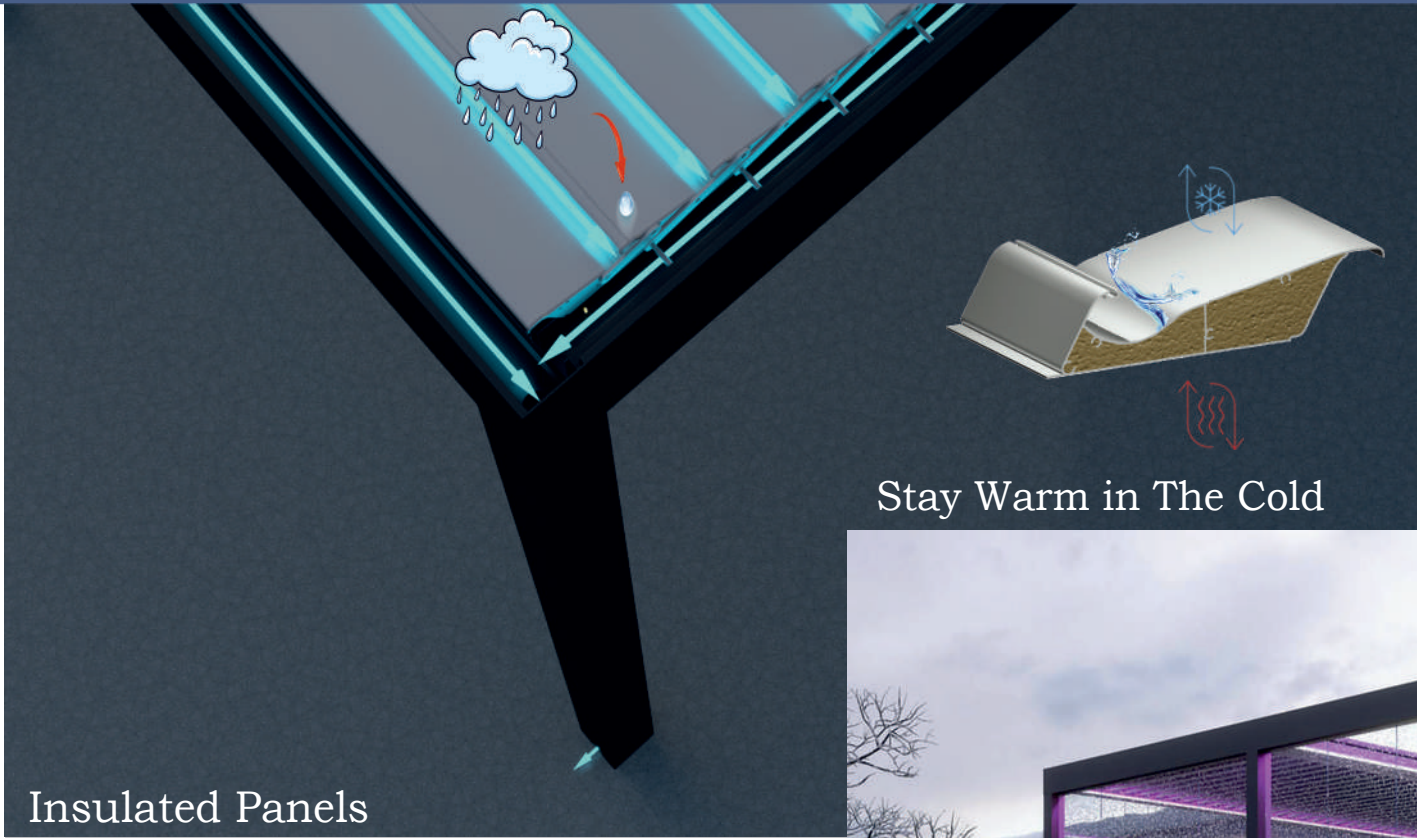
ROLLING ROOF Designing



Material...	aluminium
Canopy material	with smooth slats, sun shade louvers
Specifications	custom, Rolling bioclimatic, motorized, wind-proof
Options and accessories	with integrated LED
Style	contemporary
Ecological characteristics	energy-saving, recyclable, 100% recyclable
Color	Main Color (White / Black ...)







Stay Warm in The Cold



Stay Cold in The Warm

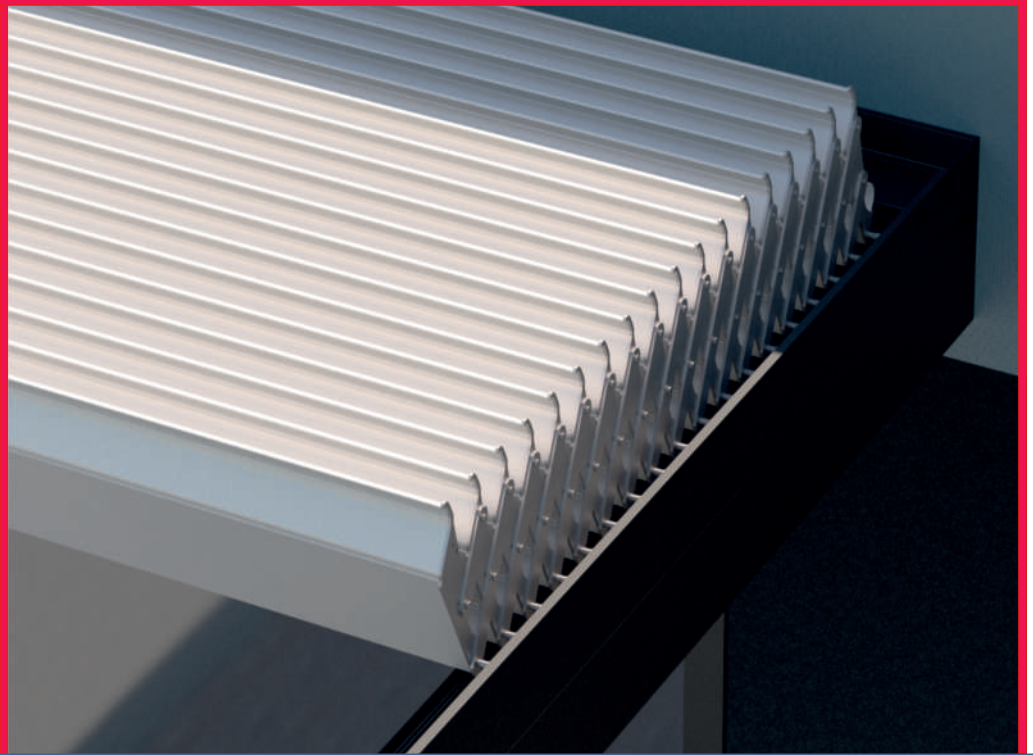
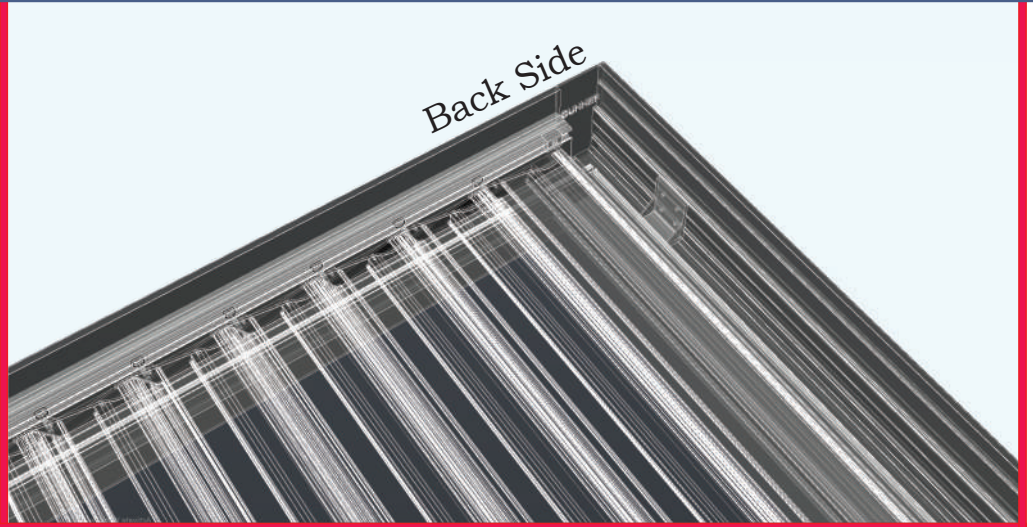
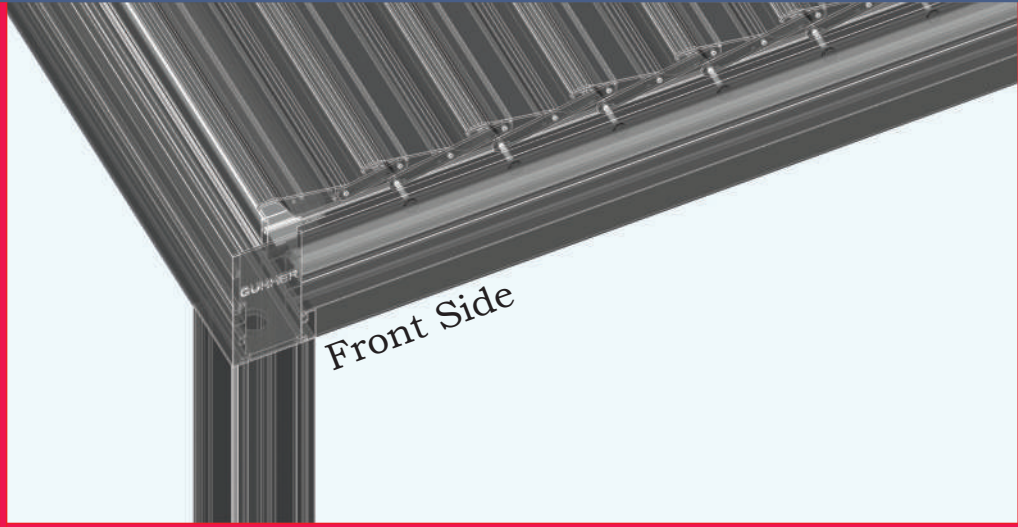
## Insulated Panels

Significantly reduces wastage of hot weather in winter and cold weather in summer.

Panels can be filled with Polyurethane Foam which provides extra comfort.



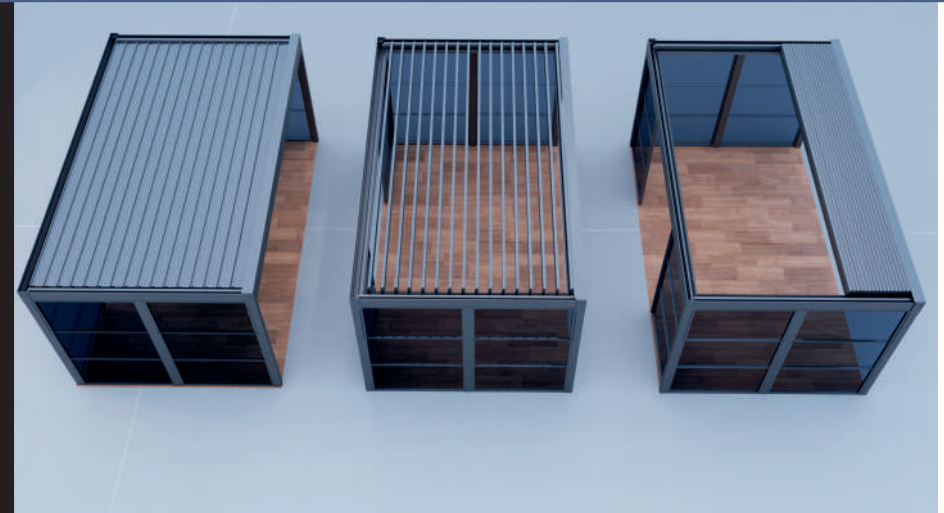
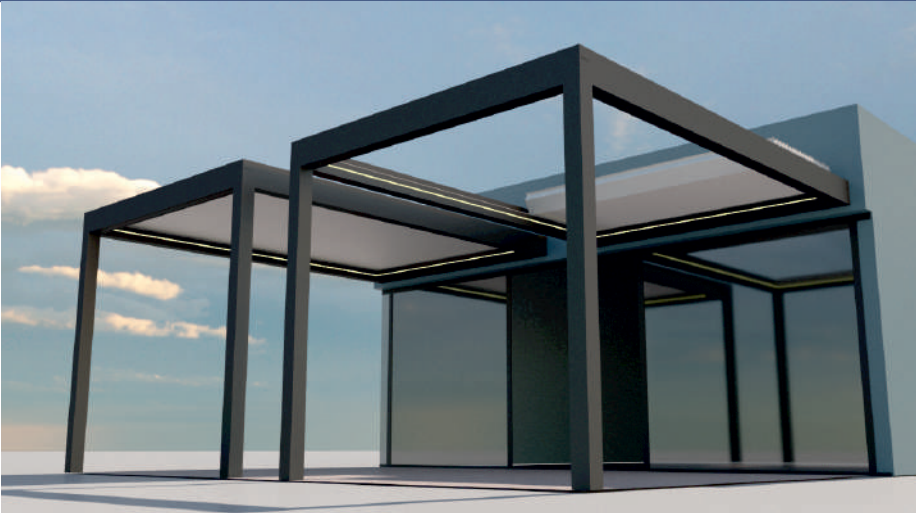




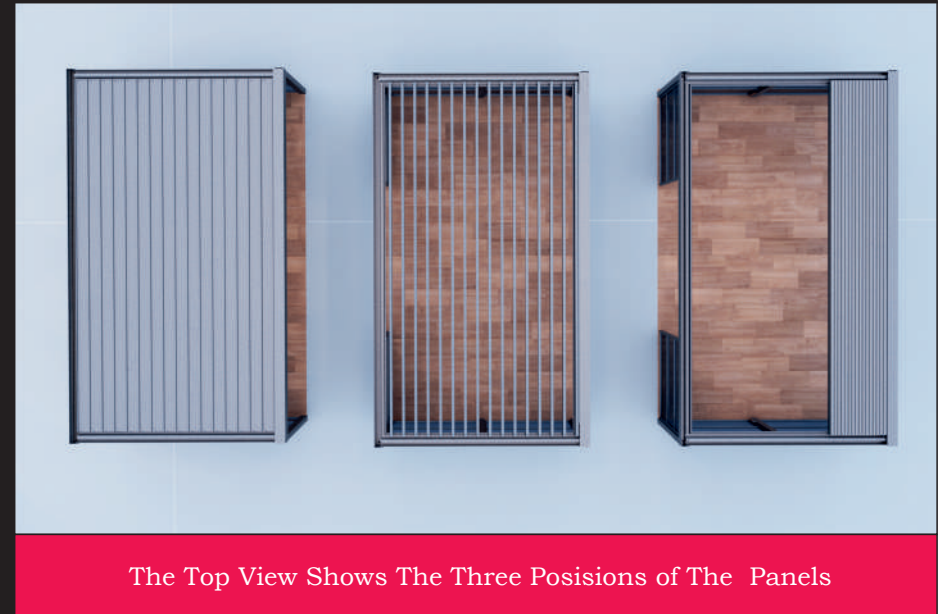
[www.guhher.com](http://www.guhher.com)

**GUHHER**<sup>®</sup>  
ALÜMİNYUM TEKNOLOJİLERİ





Rainwater or snow from the surface of the panels is directed to the gutters that are installed around the system and is directed into the pipes inside the pillars and finally drained out



The Top View Shows The Three Positions of The Panels

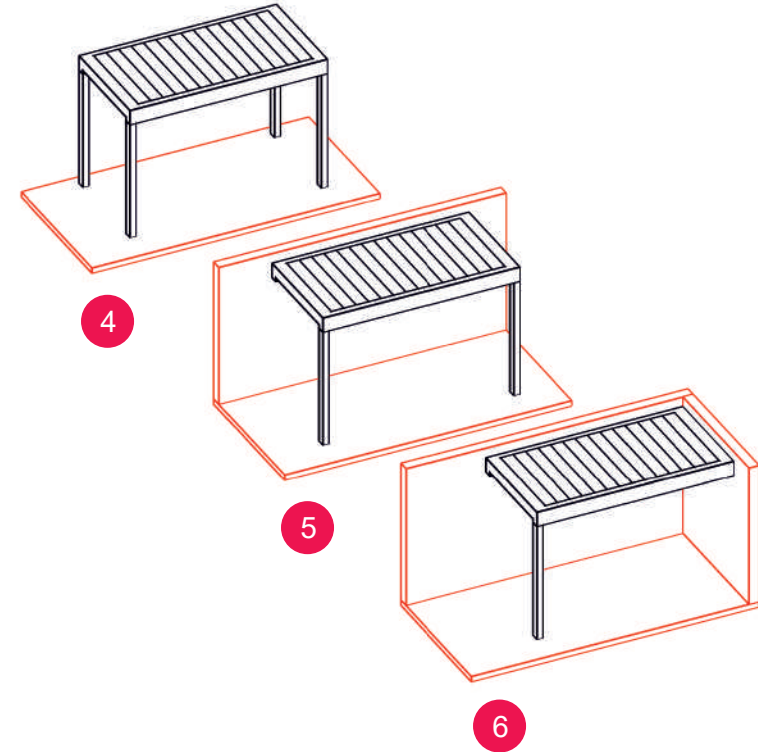
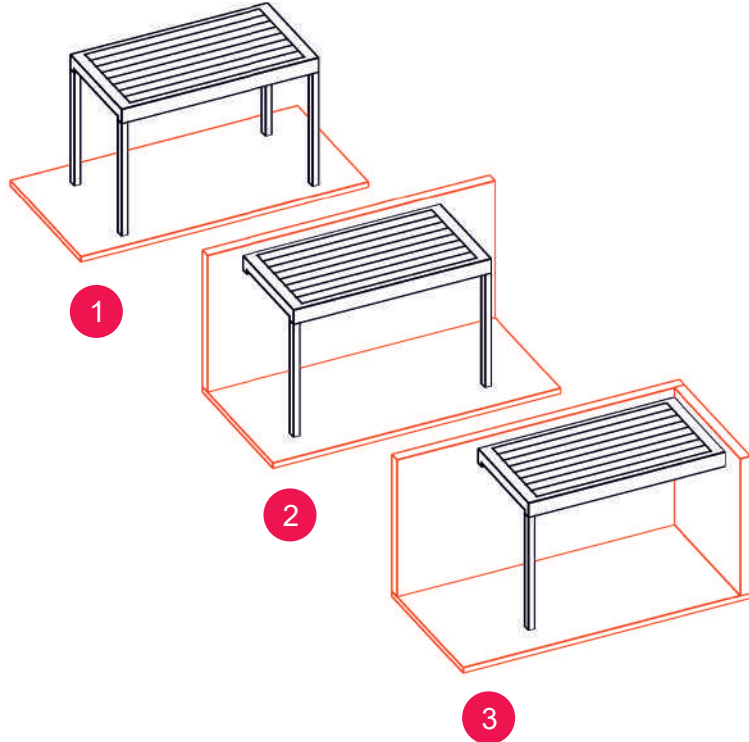


[www.guhher.com](http://www.guhher.com)

**GUHHER**<sup>®</sup>  
ALÜMİNYUM TEKNOLOJİLERİ



## STANDING POSITIONS OF ROLLING ROOF



- 1 SELF STANDING SINGLE MODULE (Horizontal Panels)
- 2 WALL ASSAMBELED ON ONE SIDE (Horizontal Panels)
- 3 WALL ASSAMBELED ON TWO SIDES (Horizontal Panels)
- 4 SELF STANDING SINGLE MODULE (Vertical Panels)
- 5 WALL ASSAMBELED ON ONE SIDE (Vertical Panels)
- 6 WALL ASSAMBELED ON TWO SIDES (Vertical Panels)





[www.guhher.com](http://www.guhher.com)

**GUHHER**<sup>®</sup>  
ALÜMİNYUM TEKNOLOJİLERİ





[www.guhher.com](http://www.guhher.com)

**GUHHER**<sup>®</sup>  
ALÜMİNYUM TEKNOLOJİLERİ





[www.guhher.com](http://www.guhher.com)

**GUHHER**<sup>®</sup>  
ALÜMİNYUM TEKNOLOJİLERİ





[www.guhher.com](http://www.guhher.com)

**GUHHER**<sup>®</sup>  
ALÜMİNYUM TEKNOLOJİLERİ

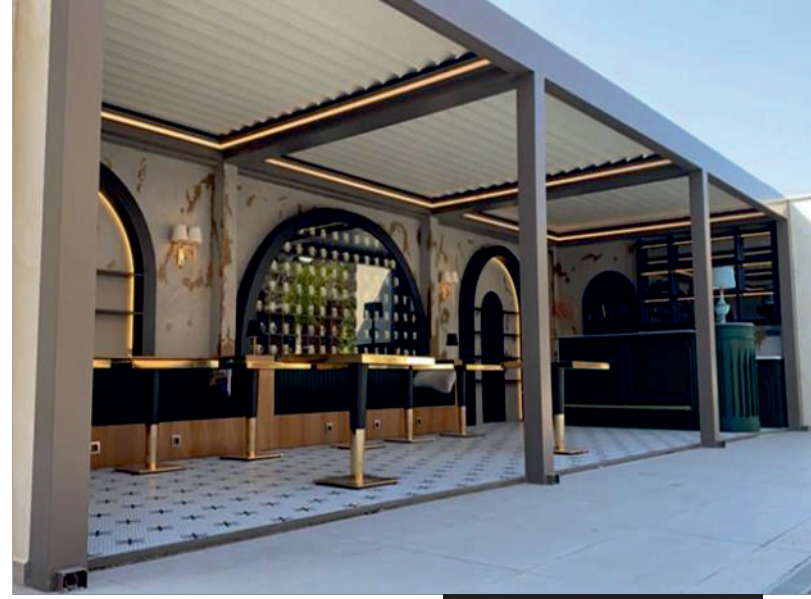




[www.guhher.com](http://www.guhher.com)

**GUHHER**<sup>®</sup>  
ALÜMİNYUM TEKNOLOJİLERİ





[www.guhher.com](http://www.guhher.com)

**GUHHER**<sup>®</sup>  
ALÜMİNYUM TEKNOLOJİLERİ

PVC PERGOLA

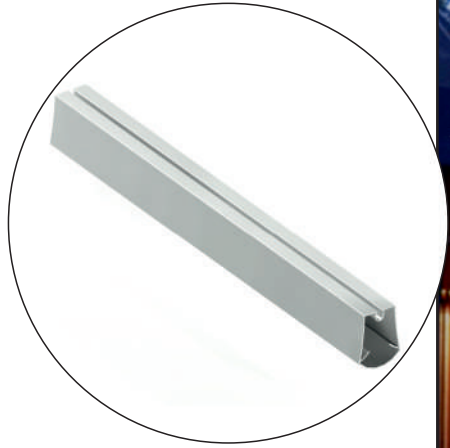
# VON BÈSSE

WE CAN  
CREATE PRIVATE AND  
SECURE SPACE FOR YOU



[www.guhher.com](http://www.guhher.com)

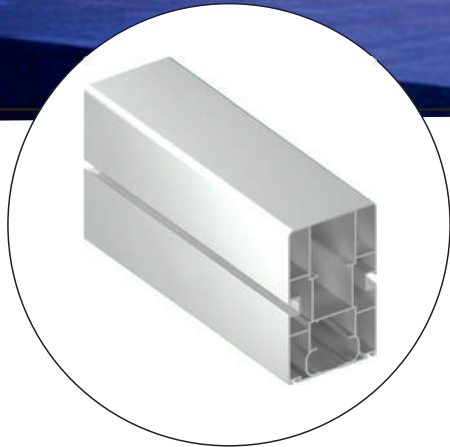




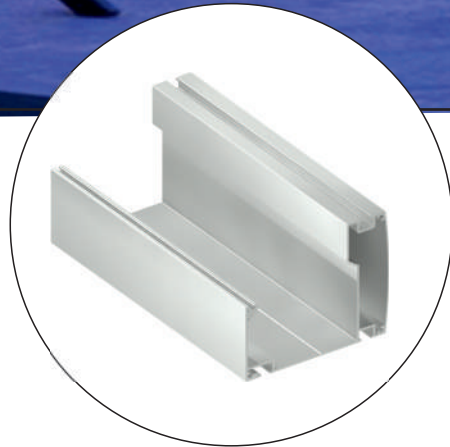
**CROSSBAR  
SINGLE PIECE**  
PR1005



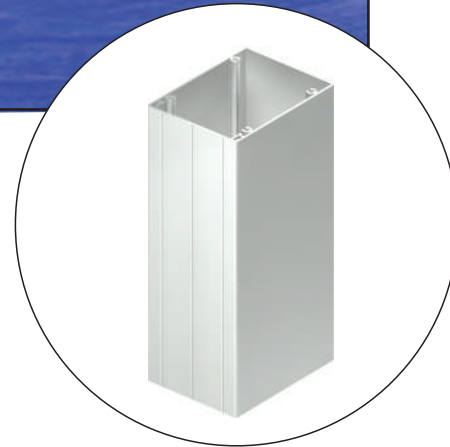
**CROSSBAR  
WITH COVER (LED)**  
PR1004



**RAIL**  
PR1003

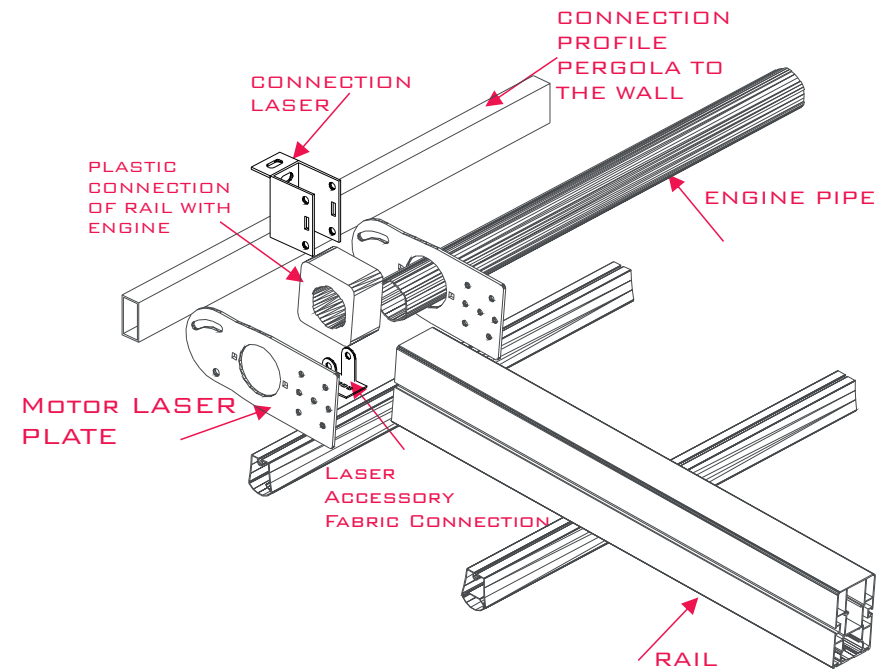
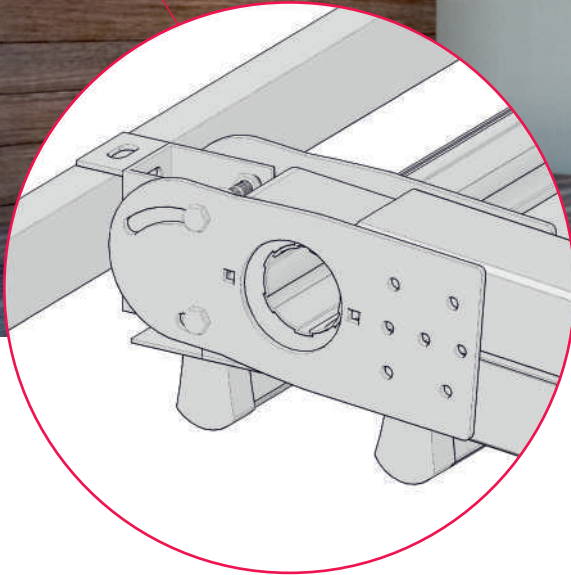
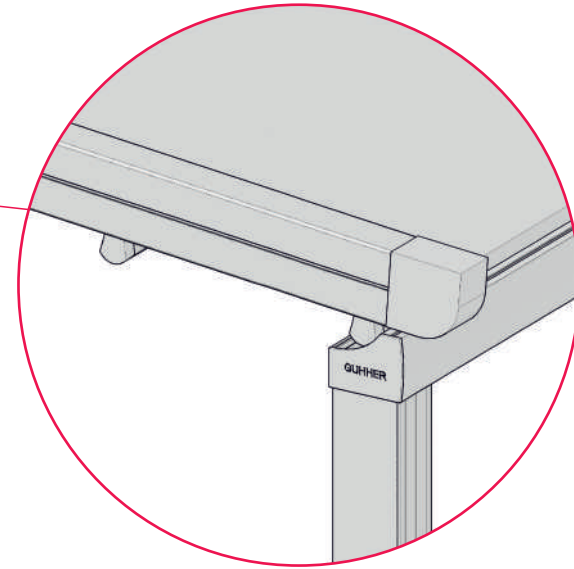
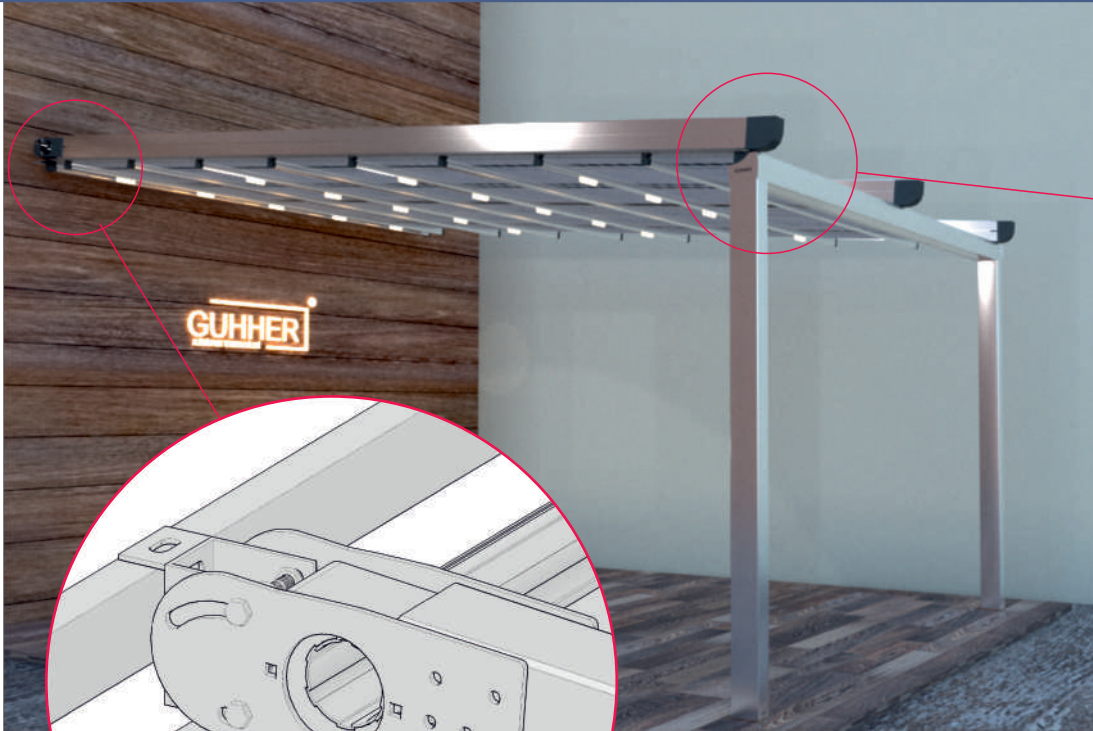


**GUTTER**  
PR1002



**PILLAR**  
PR1001

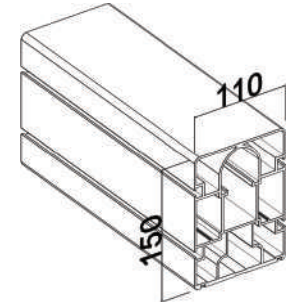
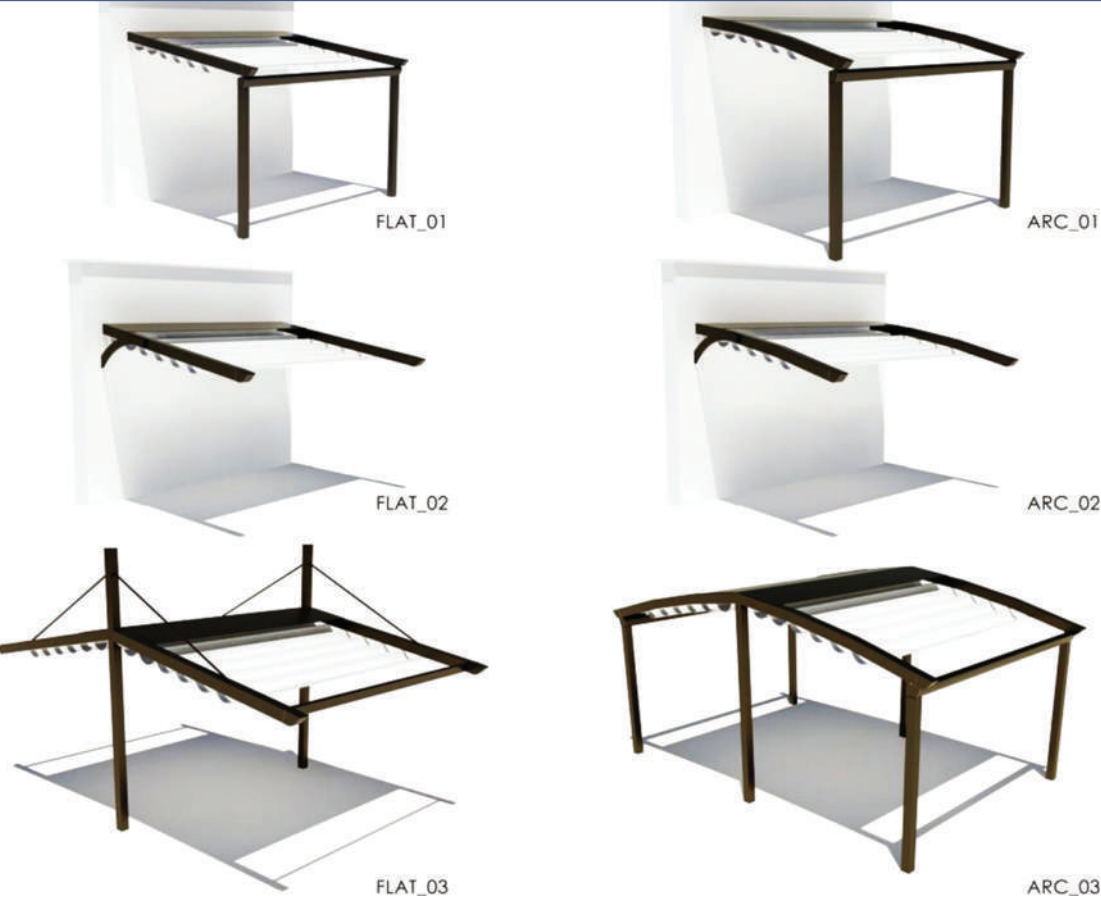




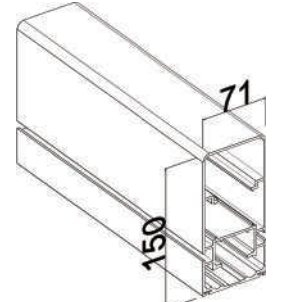
CONNECTION AND FIX PERGOLA ON THE WALL



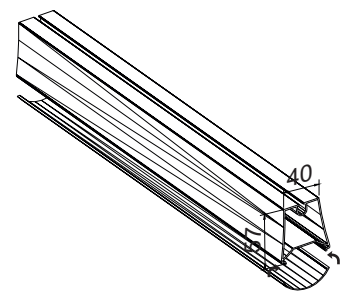




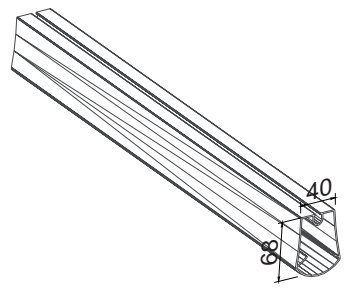
THICK RAIL



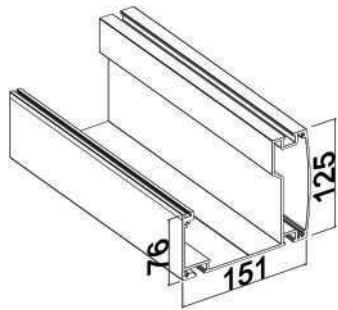
THIN RAIL



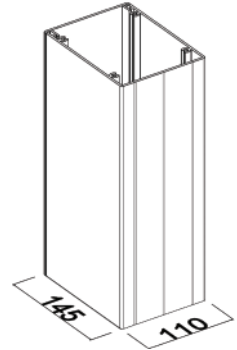
CROSSBAR WITH COVER (LED)



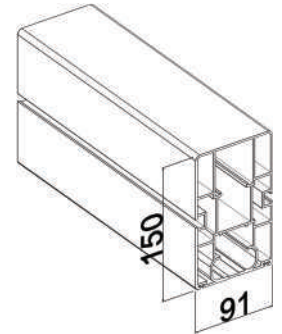
CROSSBAR SINGLE PIECE



GUTTER

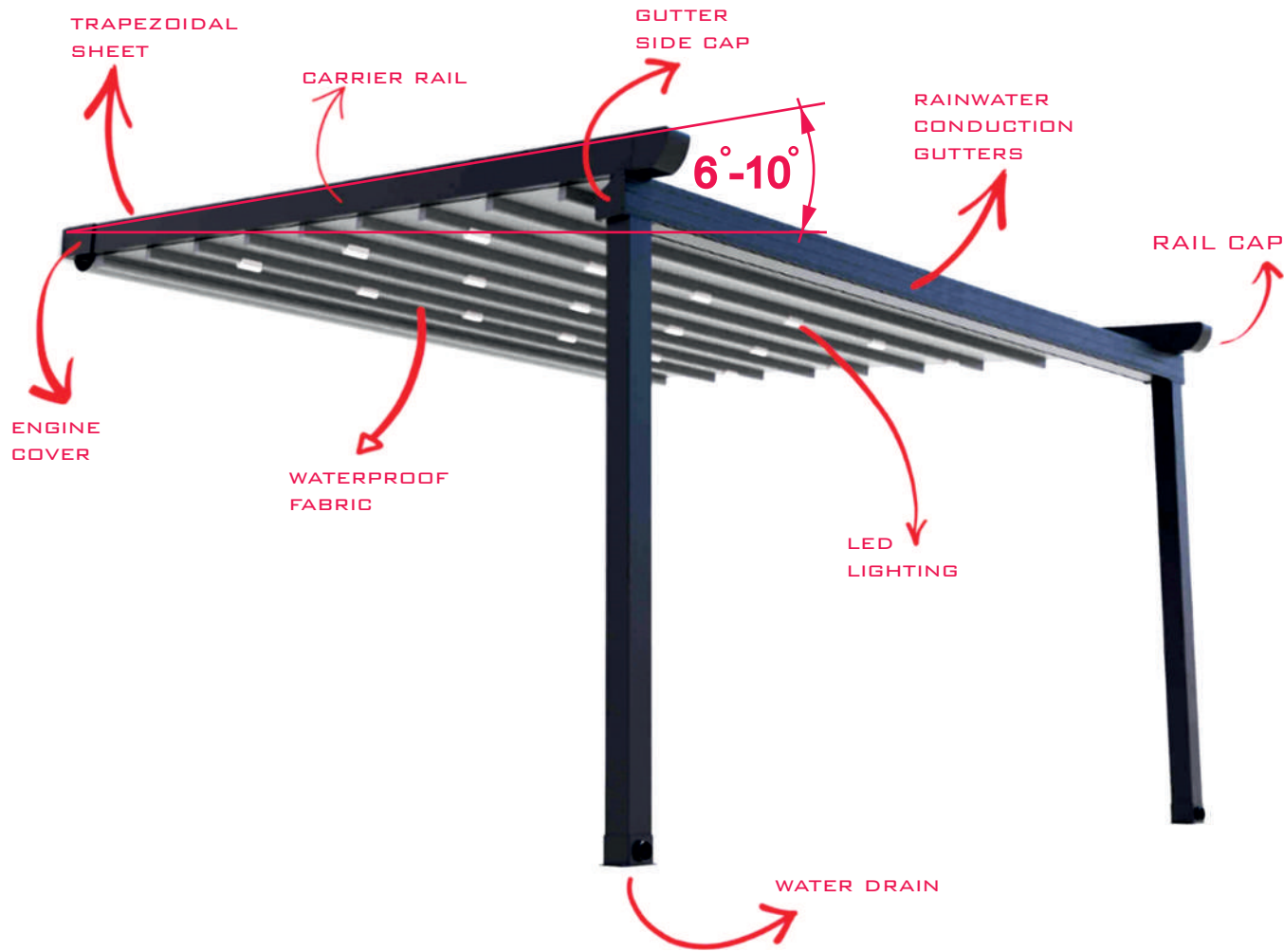


PILLAR



MIDDLE RAIL







# Pergola Led Lighting

professional led system



COLOR CUSTOMIZATION

YOU CAN CHOOSE THE ALL RAL COLORS

## FABRICS TESTING

EN	TEST METHOD	PHFR 870
Base Fabric		PES
Coating		PVC
Yarn (Denier)		1000x1000
Weaving		10x10
Total Weight (gsm)	TS 251:1991 METOT 6	870
Width (cm)		250, 300, 320
Tensile Strength (N/5 cm)	TS 2008 EN ISO 1421:2000 METOT 1	2300/2400 (Warp/Weft)
Tear Resistance (N)	DIN 53363	330/280 (Warp/Weft)
Adhesion (daN/5 cm)	EN ISO 2411	7
Light Fastness	ISO 105 B04:1994	6+
Water Resistance (mmSS)	TS 257 EN 20811:1996	Min. 8000
Wear	TS EN 530:2011	Min. 9000 Rotation
Temperature Resistance		-40C +70C
Flame Reterdancy	DIN4102-B2, ISO 6941:2003	PASS



FABRIC COLORS



ALUMINUM COLORS



www.guhher.com

**GUHHER**<sup>®</sup>  
ALÜMİNYUM TEKNOJİLERİ





[www.guhher.com](http://www.guhher.com)

**GUHHER**<sup>®</sup>  
ALÜMİNYUM TEKNOLOJİLERİ



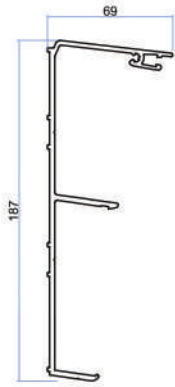
GLASS ROOF

**HELLDACH**

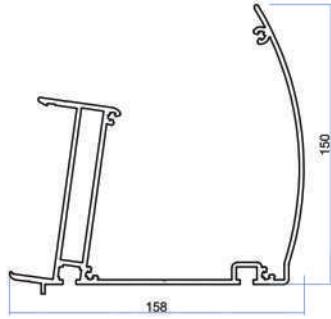
WE CAN  
CREATE PRIVATE AND  
SECURE SPACE FOR YOU



[www.guher.com](http://www.guher.com)



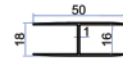
Profile No	kg/m
2004	2,555



Profile No	kg/m
2012	4,113



Profile No	kg/m
2011	0,890



Profile No	kg/m
2539	0,290



Profile No	kg/m
2538	0,210



Profile No	kg/m
2542	0,180



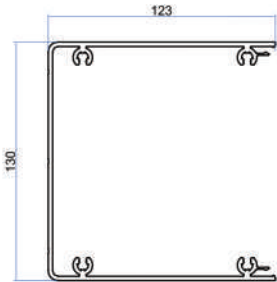
Profile No	kg/m
2543	0,230



Profile No	kg/m
2544	0,240



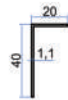
Profile No	kg/m
2545	0,285



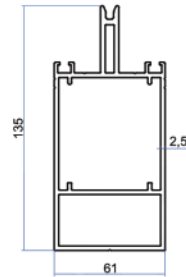
Profile No	kg/m
2009	3,050



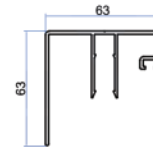
Profile No	kg/m
2010	1,025



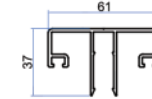
Profile No	kg/m
2394	0,177



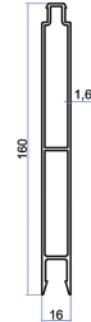
Profile No	kg/m
2005	3,230



Profile No	kg/m
2008	1,060



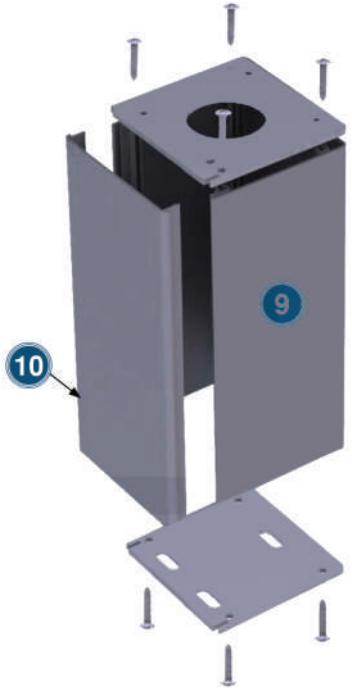
Profile No	kg/m
2007	0,925



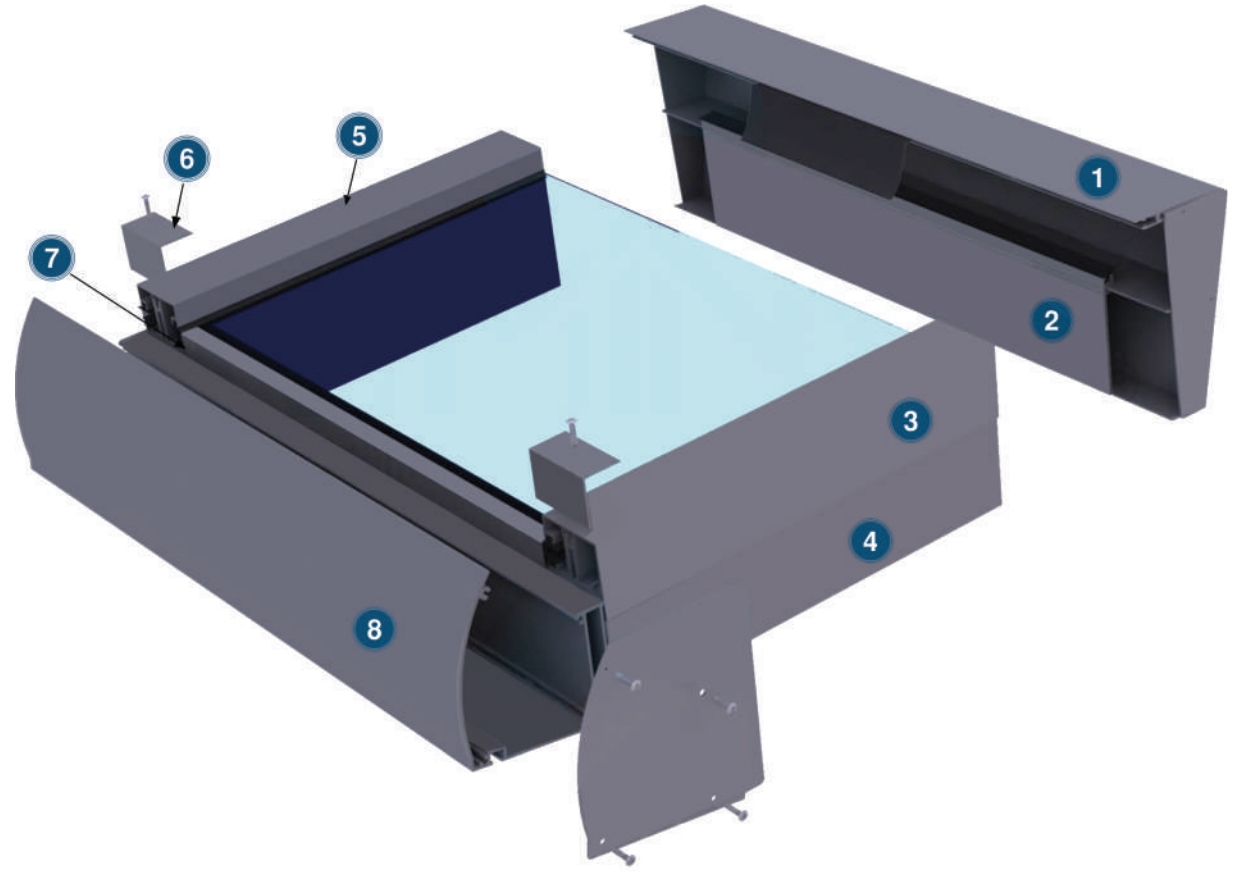
Profile No	kg/m
2546	1,591







- 1 2004 NOLU PROFİL
- 2 2011 NOLU PROFİL
- 3 2008 NOLU PROFİL
- 4 2005 NOLU PROFİL
- 5 2007 NOLU PROFİL
- 6 2394 NOLU PROFİL
- 7 2542 NOLU PROFİL
- 8 2012 NOLU PROFİL
- 9 2009 NOLU PROFİL
- 10 2010 NOLU PROFİL

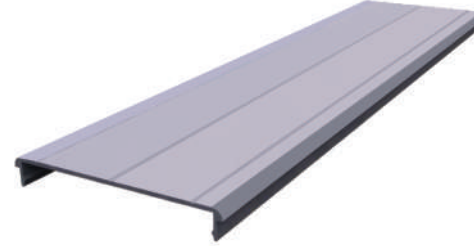




**Kış Bahçesi Arka Askı**  
*Winter Garden Rear Hanger*

**Product Code: 2004**

**Weight kg/m: 2,555**  
*(187 x 69 x 3mm)*



**Kış Bahçesi Ayak Kapak Profili**  
*Winter Garden Foot Cover Profile*

**Product Code: 2010**

**Weight kg/m: 1,025**  
*(130 x 17 x 2,4mm)*



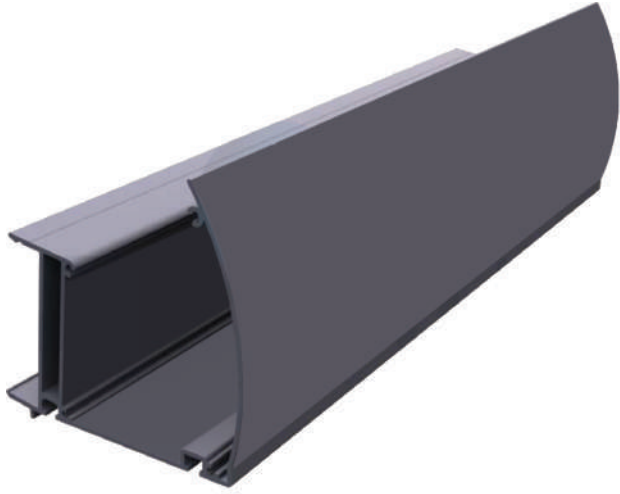
**Kış Bahçesi Ayak Profili**  
*Winter Garden Foot Profile*

**Product Code: 2009**

**Weight kg/m: 3,050**  
*(130 x 124 x 2,4mm)*



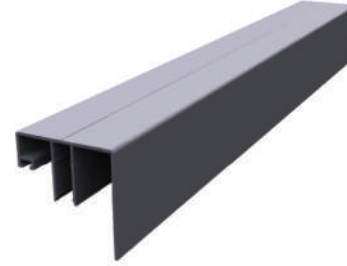




**Kış Bahçesi Radüs Oluk**  
*Winter Garden Radius Gutter*

**Product Code: 2012**

**Weight kg/m: 4,113**  
*(150 x 158 x 2,5mm)*



**Kış Bahçesi Kapak Profili**  
**(Sağ ve Sol)**  
*Winter Garden Cover Profile*  
*(Right and Left)*

**Product Code: 2008**

**Weight kg/m: 1,060**  
*(63 x 63 x 1,8mm)*



**Kış Bahçesi Kapak Profili**  
*Winter Garden Cover Profile*

**Product Code: 2007**

**Weight kg/m: 0,925**  
*(37 x 63 x 1,8mm)*



**Kış Bahçesi Cam Tutucu**  
*Winter Garden Glass Holder*

**Product Code: 2005**

**Weight kg/m: 3,230**  
*(135 x 61 x 2,5mm)*

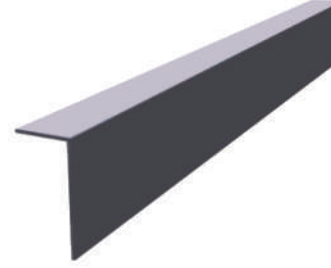




**Kiř Bahesi Oluk ve Arka İ Kapak**  
*Winter Garden Gutter and  
Rear Inner Cover*

**Product Code: 2011**

**Weight kg/m: 0,890**  
*(106 x 11 x 2,6mm)*



**Kiř Bahesi Kşebent**  
*Winter Garden Bracket*

**Product Code: 2394**

**Weight kg/m: 0,177**  
*(40 x 20 x 1,1mm)*



**8mm F Profil**  
*8mm F Profile*

**Product Code: 2542**

**Weight kg/m: 0,180**  
*(21 x 26 x 1mm)*



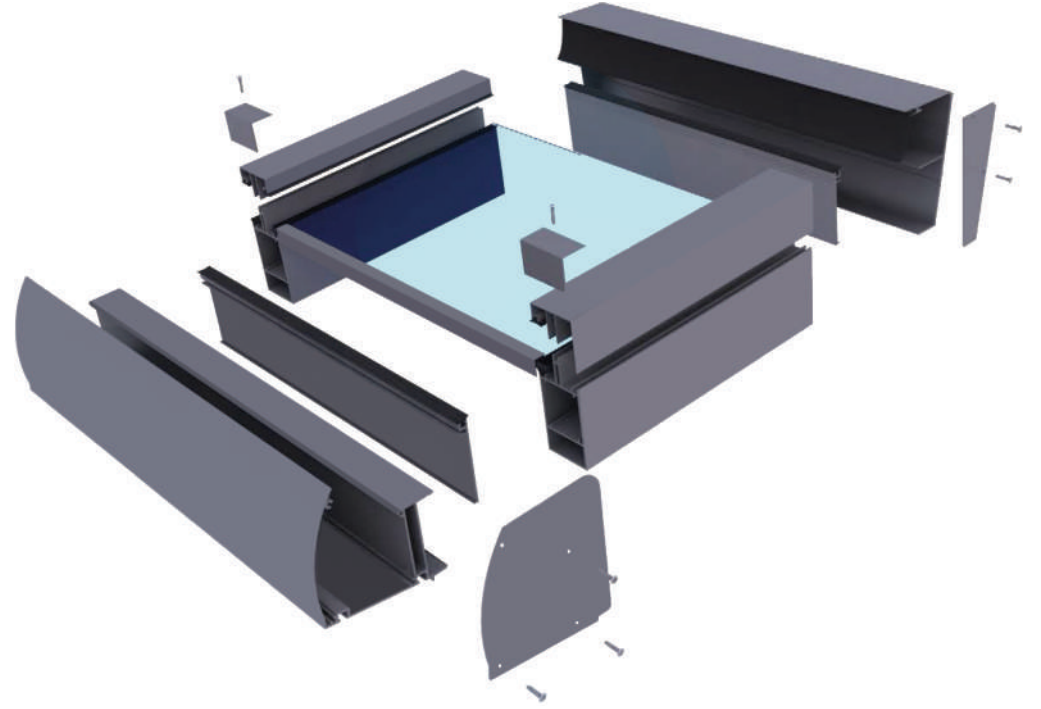
**15x160 Lambiri**  
*15x160 Paneling*

**Product Code: 2546**

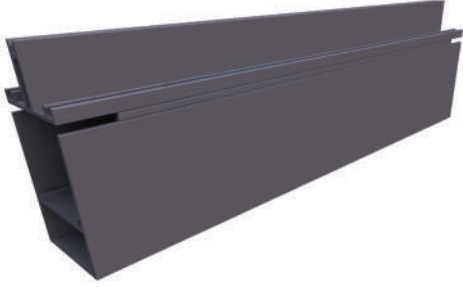
**Weight kg/m: 1,591**  
*(160 x 16 x 1,6mm)*



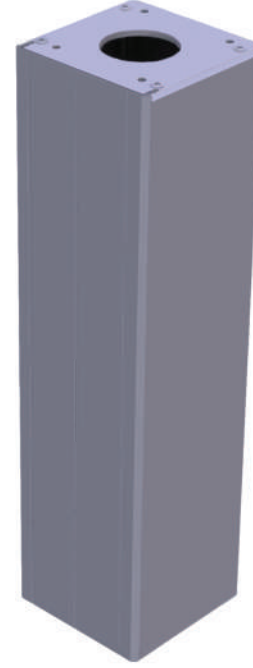




**ANTORYUM OVAL KERTME İŞLEMİ**  
ANTORYUM OVAL LOSS OPERATION



**ANTORYUM OVAL AYAK BAĞLANTI**  
ANTORYUM OVAL FOOT CONNECTION







**Baskı Contası**  
*Print Gasket*

**Product Code: KIS-09**

**1 Top: 174 mt/15 kg**  
*1 Roll: 174 mt/15 kg*



**Arka Baskı Contası**  
*Back Print Gasket*

**Product Code: KIS-10**

**1 Top: 41 mt/15 kg**  
*1 Roll: 41 mt/15 kg*



**24V Led**  
*24V Led*

**Product Code: KIS-22**

**Box Piece: 100**  
*Box Piece: 100*



**10x80 Çelik Lama**  
*10x80 Steel Flat Bar*



**2x0.75 Nyaf Kablo**  
*2x0.75 Nyaf Cable*

**Product Code: KIS-23**

**1 Top: 100 mt**  
*1 Roll: 100 mt*



**75'lik Filtre**  
*75 Filter*

**Product Code: KIS-08**



**24V / 5A Led Trafo**  
*24V / 5A Led Transformer*

**Product Code: KIS-21**





**Kapaklı Ayak Üst Bağlantı Sacı**  
*Covered Foot Top Connection Plate*

**Product Code: KIS-02**

**Kalıp No: 2009, 2010 Nolu Profilde kullanılır.**  
*Mold Number: Used in profile no 2009, 2010*



**Kapaklı Ayak Alt Bağlantı Sacı**  
*Covered Foot Bottom Connection Plate*

**Product Code: KIS-03**

**Kalıp No: 2009, 2010 Nolu Profilde kullanılır.**  
*Mold Number: Used in profile no 2009, 2010*



**Arka Askı Sacı**  
*Rear Hanger Plate*

**Product Code: KIS-04**

**Kalıp No: 2004 Nolu Profilde kullanılır.**  
*Mold Number: Used in profile no 2004*



**Oval Oluk Sacı**  
*Oval Gutter Sheet*

**Product Code: KIS-05**

**Kalıp No: 2012 Nolu Profilde kullanılır.**  
*Mold Number: Used in profile no 2012*



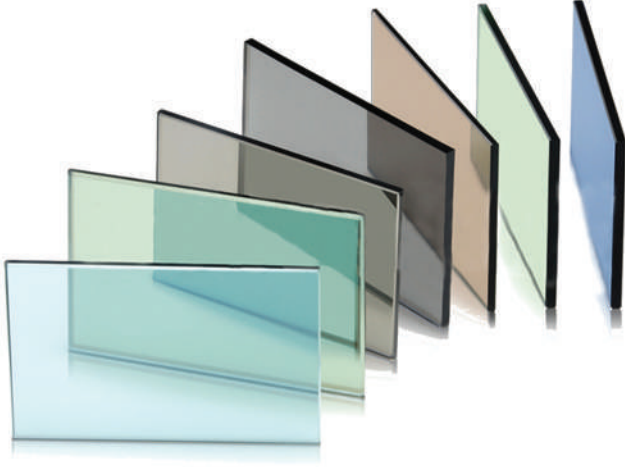
**Lama Somun Sacı**  
*Lama Nut Sheet*

**Product Code: KIS-06**

**2012 Oluk Kapaklı Ayak Bağlantı**  
*2012 Gutter Covered Leg Connection*



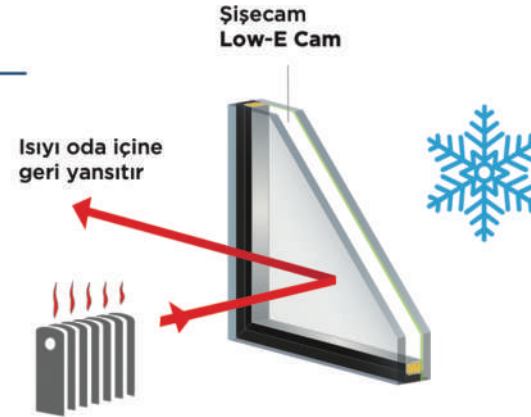




**Lamine Cam**  
*Laminated Glass*

**ANTORYUM OVAL**  
Minimum 8mm - Maximum 12 mm

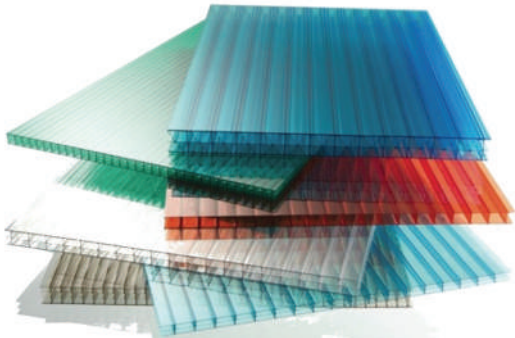
**ANTORYUM FLAT**  
Minimum 8mm - Maximum 12 mm



**Isıcam**  
*Insulating Glass*

**ANTORYUM OVAL**  
Minimum 8mm - Maximum 24 mm

**ANTORYUM FLAT**  
Minimum 8mm - Maximum 32 mm



**Polikarbon**  
*Polycarbonate*

**ANTORYUM OVAL**  
Minimum 8mm - Maximum 24 mm

**ANTORYUM FLAT**  
Minimum 8mm - Maximum 32 mm





GLASS ROOF



[www.guhher.com](http://www.guhher.com)

**GUHHER**<sup>®</sup>  
ALÜMİNYUM TEKNOLOJİLERİ



ZIP SCREEN

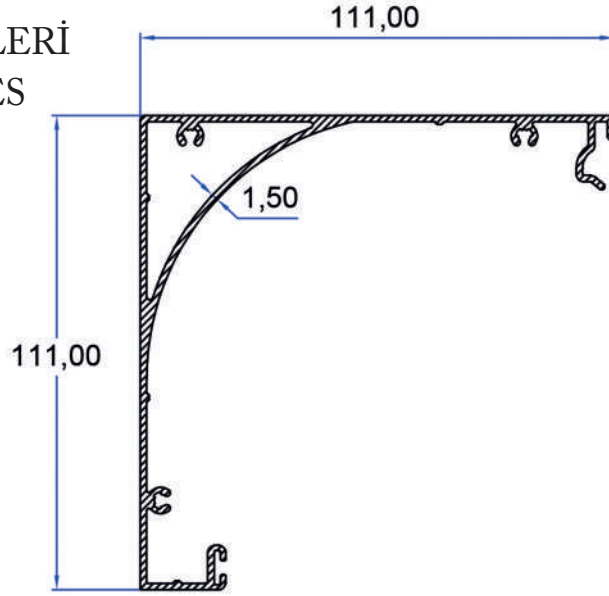
BEESOTTA

WE CAN  
CREATE PRIVATE AND  
SECURE SPACE FOR YOU

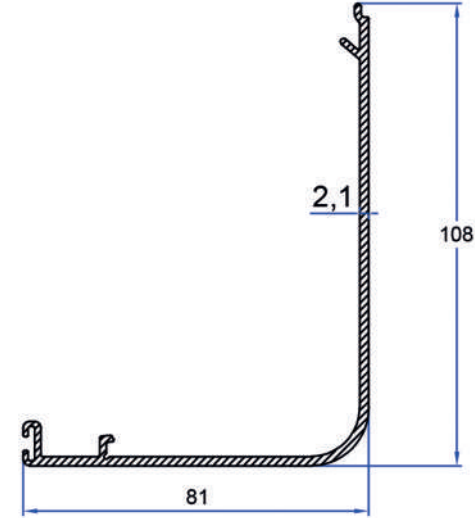


[www.guhher.com](http://www.guhher.com)

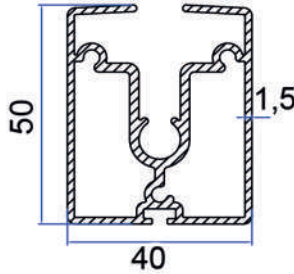
# ZİP SİSTEMİ PROFİLLERİ ZIP SYSTEM PROFILES



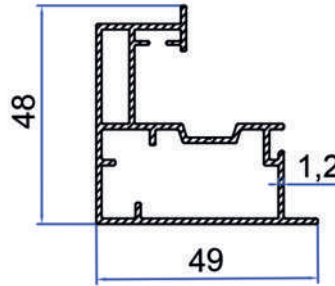
**MOTOR KUTUSU**  
**ENGINE BOX**  
2878  
1.608 kg/m



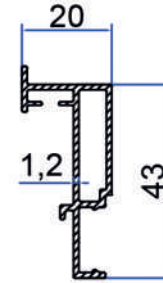
**MOTOR KUTUSU KAPAĞI**  
**ENGINE BOX COVER**  
2875  
1.142 kg/m



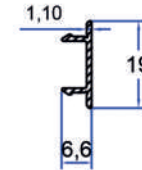
**SAÇAK PROFİLİ**  
**FRINGE PROFILE**  
2937  
1.201kg/m



**DİKME PROFİLİ**  
**SEWING PROFILE**  
2877  
0.736 kg/m



**DİKME PROFİLİ 2**  
**SEWING PROFILE 2**  
2874  
0.387 kg/m

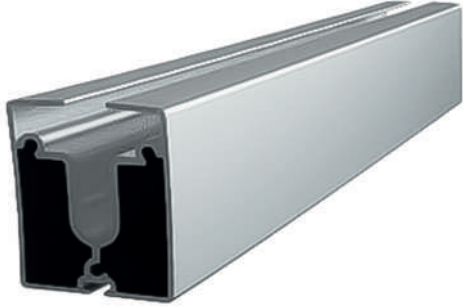


**DİKME VİDA KAPAĞI**  
**SEWING SCREW COVER**  
2876  
0.085 kg/m





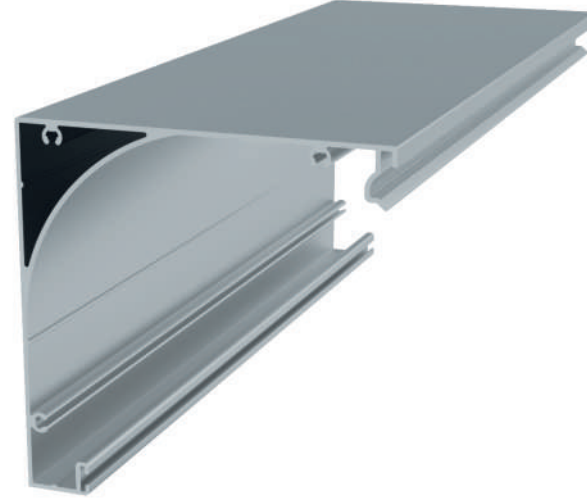
## ZİP SİSTEMİ PROFİLLERİ ZIP SYSTEM PROFILES



Saçak Profili  
*Fringe Profile*

Product Code: 2937

Weight kg/m: 1,  
( 53 x 45 x 1,2mm )



Motor Kutusu  
*Engine Box*

Product Code: 2878

Weight kg/m: 1,608  
( 111 x 111 x 1,5mm )



Motor Kutusu Kapağı  
*Engine Box Cover*

Product Code: 2875

Weight kg/m: 1,142  
( 108 x 81 x 2,1mm )



## ZİP SİSTEMİ PROFİLLERİ ZIP SYSTEM PROFILES



Dikme Profili 2  
*Sewing Profile 2*

Product Code: 2874

Weight kg/m: 0,387  
( 43 x 20 x 1,2mm )



Dikme Profili  
*Sewing Profile*

Product Code: 2877

Weight kg/m: 0,736  
( 43 x 20 x 1,2mm )



Dikme Vida Kapağı  
*Sewing Screw Cover*

Product Code: 2876

Weight kg/m: 0,085  
( 19 x 6,6 x 1,1mm )





## ZİP PERDE TAKIMI / ZIP CURTAIN SET



**Bayrak Sağ**  
Flag Right



**Bayrak Sol**  
Flag Left



**Bayrak Kızağı**  
Flag Sled



**Rulman Yatağı Plastiği**  
Bearing Housing Plastic



**Boru Başı ve Motor Switch Plastiği**  
Pipe Head and Motor Switch Plastic



**6301 Rulman**  
6301 Rulman



**Ağırlık Profili Çıtası**  
Weight Profile Lath



**Ağırlık Profili Kapağı**  
Weight Profile Cover



**Yan Dikme Profili Kapağı**  
Side Strut Profile Cover



**3.9x19 YHB Vida**  
3.9x19 YHB Screw  
Box Piece: 150



**M3x8 H.B. Yıldız Başlı Inox**  
M3x8 H.B. Star Headed Inox  
Box Piece: 20



**M3 Somun**  
M3 Nut  
Box Piece: 20



**M6x8 Setskur Vida**  
M6x8 Setskur Screw  
Box Piece: 20



## ZİP AKSESUARLARI / ZIP ACCESSORIES



**Zip Perde Fermuar**  
*Zip Curtain Zipper*  
Code: ZIP-02  
Roll: 200 mt.



**6mm Pvc Çubuk**  
*6mm Pvc Rod*  
Code: ZIP-03  
Box Piece: 6 mt 25 Piece



**Dikme Kueksiz Fitol**  
*Sewing Quenched Roving*  
Code: ZIP-04  
Box Piece: 6 mt. 25 Piece



**Dikme Balonlu Contası**  
*Strut Balloon Gasket*  
Code: ZIP-05  
Roll: 100 mt.



**SOMFY RTS 20 NM**  
*SOMFY RTS 20 NM*  
Code: RTS-20  
Box Piece: 1



**SOMFY RTS 40 NM**  
*SOMFY RTS 40 NM*  
Code: RTS-40  
Box Piece: 1



**Somfy Zip Perde Motor Aparatı**  
*Somfy Zip Curtain Motor Apparatus*  
Code: ZIP-06  
Box Piece: 1



**Universal Zip Perde Motor Aparatı**  
*Universal Zip Curtain Motorized Apparatus*  
Code: ZIP-08  
Box Piece: 1



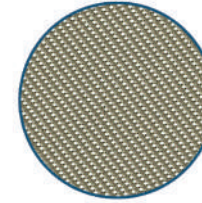
**Motor Kutusu Contası**  
*Engine Box Gasket*  
Code: GYT-28  
Roll: 75 mt.



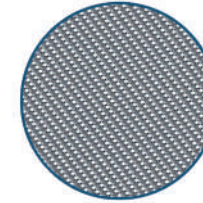
**6.7x800 Kıl Fitol**  
*6.7x800 Bristle Wick*  
Code: GYT-29  
Roll: 250 mt.



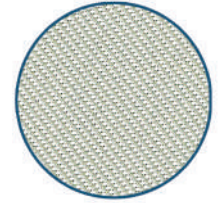
**70 Lik Galvaniz Boru**  
*70 Galvanized Pipe*  
Code: ZIP-07  
Box Piece: 6 mt.



**Zip Screen Kumaş Krem**  
*Zip Screen Fabric Cream*  
Code: ZIP-K01  
Roll: 1



**Zip Screen Kumaş Gri**  
*Zip Screen Fabric Gray*  
Code: ZIP-K02  
Roll: 1

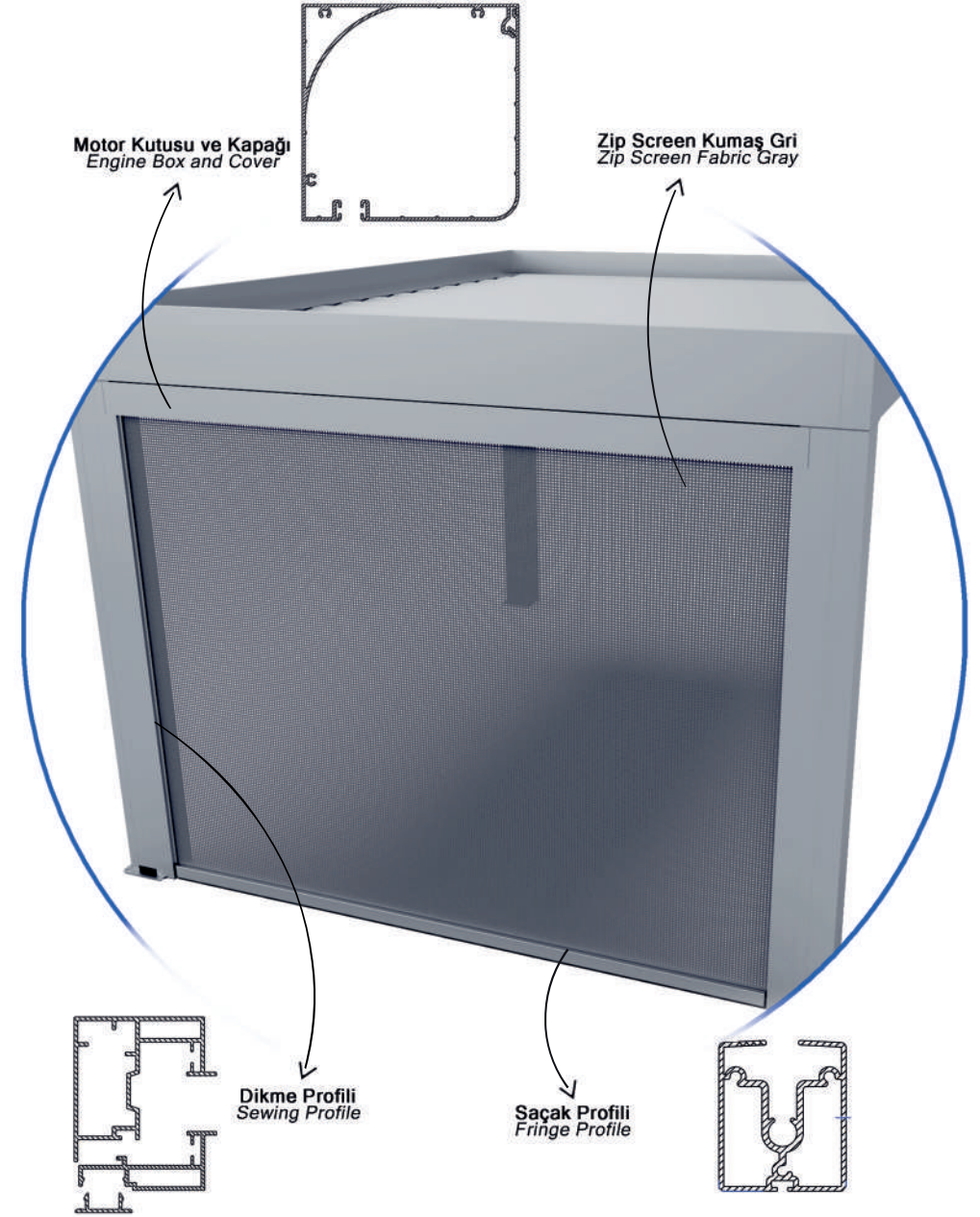
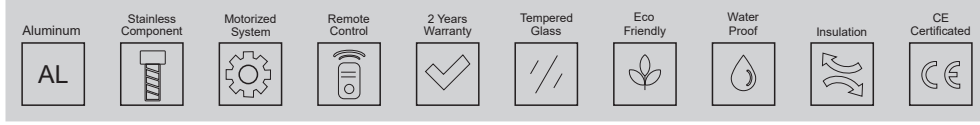


**Zip Screen Kumaş Beyaz**  
*Zip Screen Fabric White*  
Code: ZIP-K03  
Roll: 1

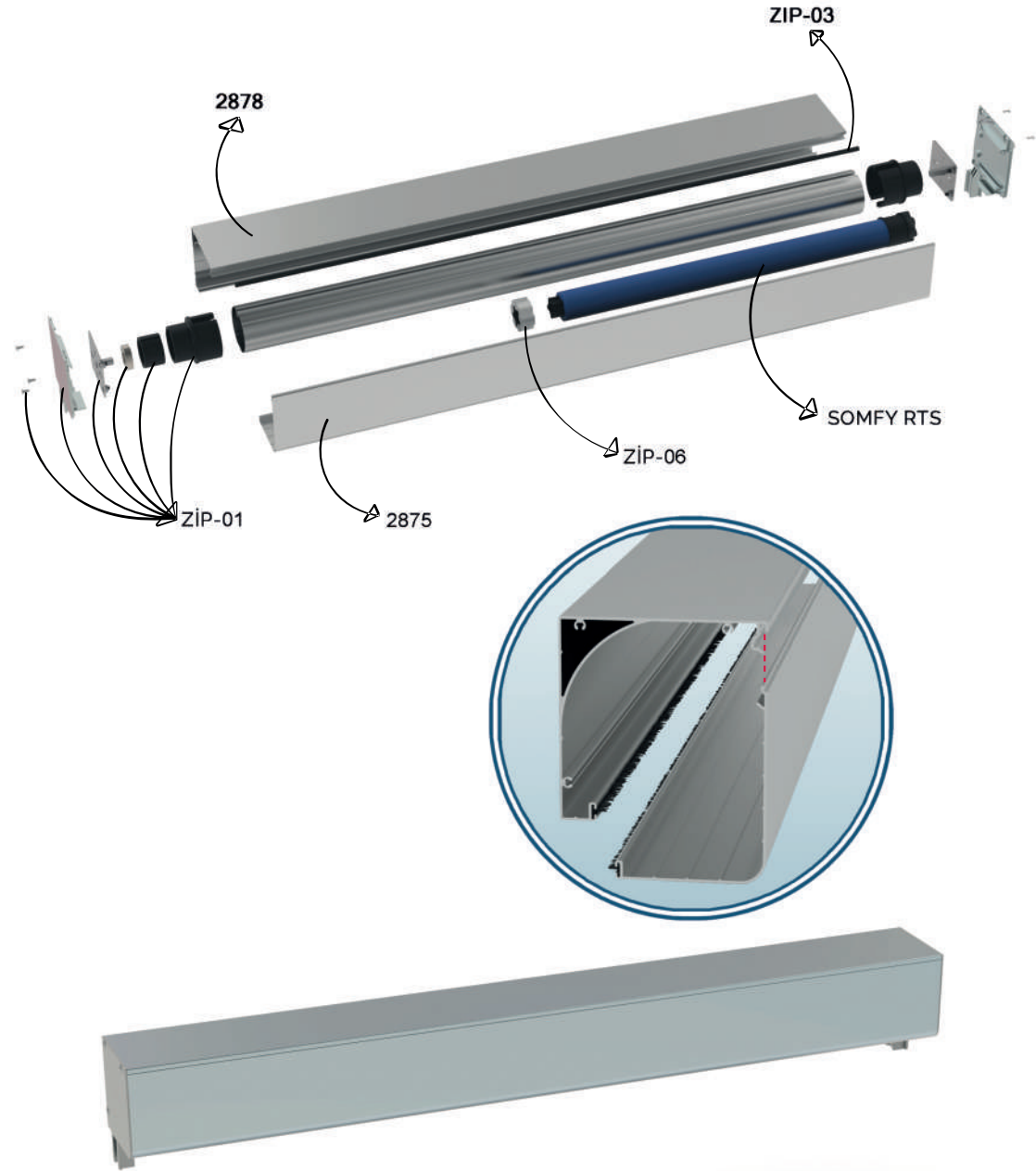




## ZİP SİSTEMİ / ZIP SYSTEMS

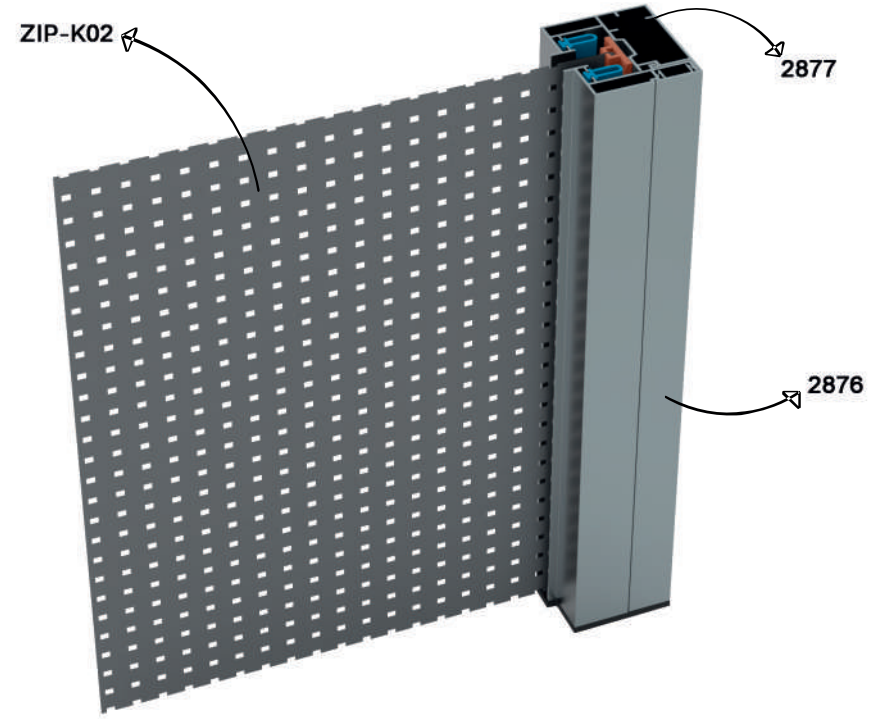
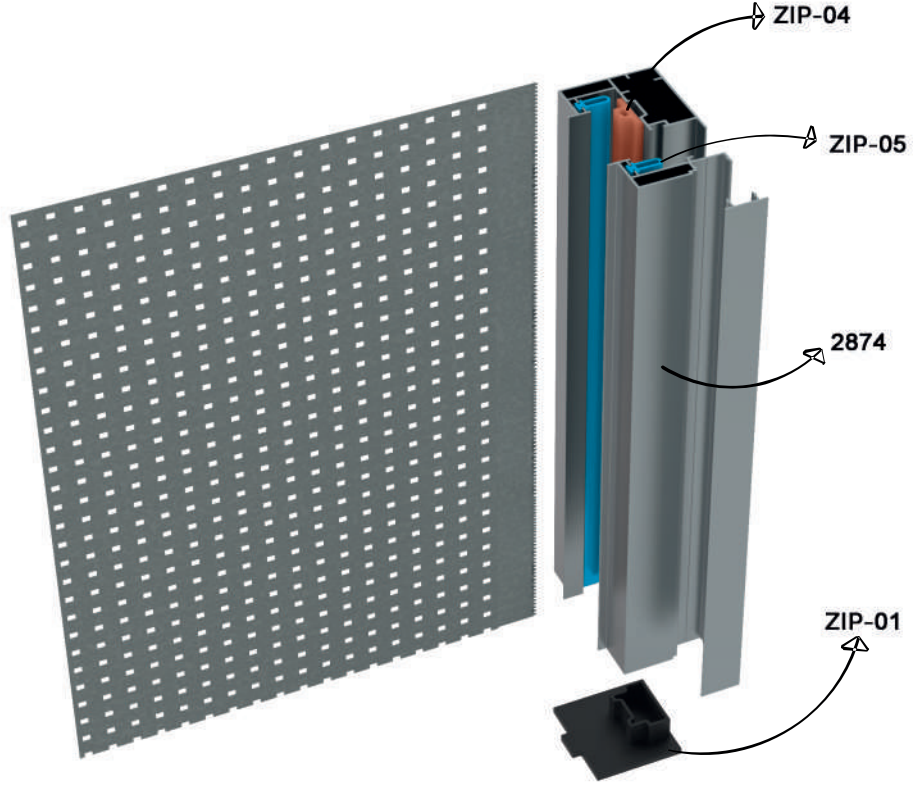


# ZİP PERDE MOTOR KUTUSU MONTAJI ZIP CURTAIN MOTOR BOX ASSEMBLY



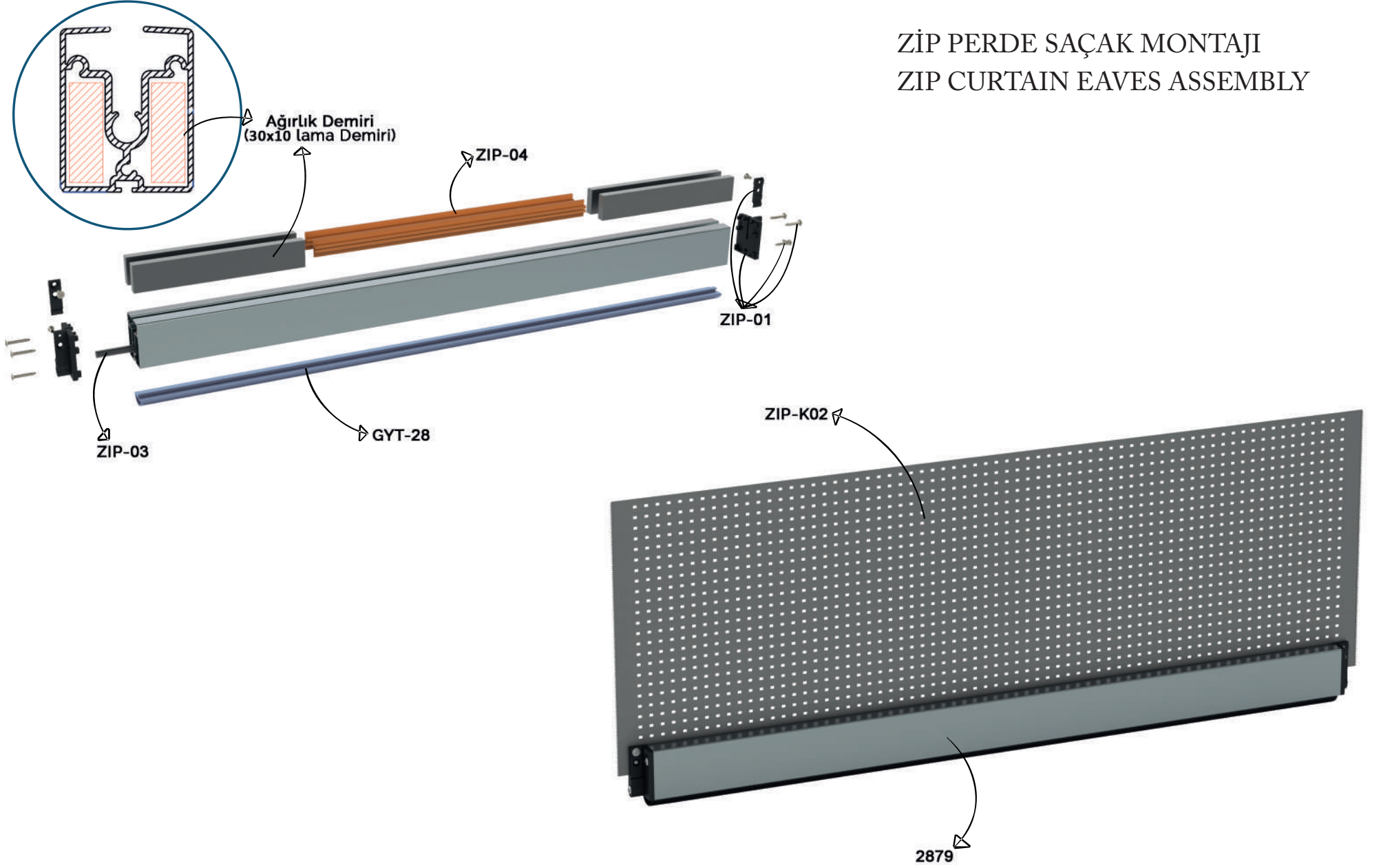
# ZİP PERDE DİKME MONTAJI

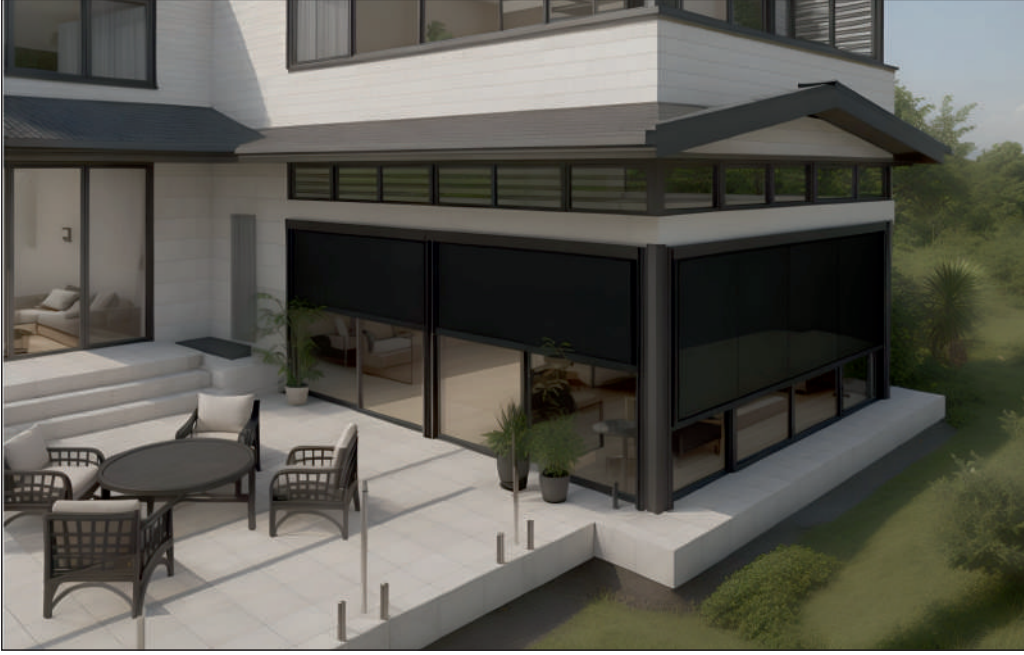
## ZIP CURTAIN SEWING ASSEMBLY



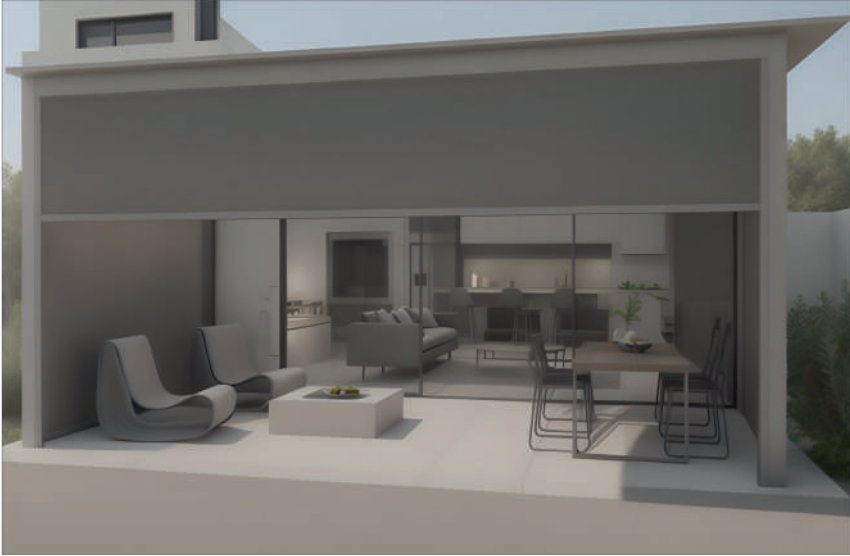


## ZİP PERDE SAÇAK MONTAJI ZIP CURTAIN EAVES ASSEMBLY





## ZİP SİSTEMİ / ZIP SYSTEMS



[www.guhher.com](http://www.guhher.com)

**GUHHER**<sup>®</sup>  
ALÜMİNYUM TEKNOLOJİLERİ

GUILLOTINE

WOHELL

WE CAN  
CREATE PRIVATE AND  
SECURE SPACE FOR YOU



[www.guher.com](http://www.guher.com)





- |          |                     |                  |                |                  |                |              |             |            |              |
|----------|---------------------|------------------|----------------|------------------|----------------|--------------|-------------|------------|--------------|
| Aluminum | Stainless Component | Motorized System | Remote Control | 2 Years Warranty | Tempered Glass | Eco Friendly | Water Proof | Insulation | CE Certified |
| AL       |                     |                  |                |                  |                |              |             |            |              |

THE BEST SYSTEM WITH BEST ENGINES  
THAT WE PROPOSAL TO YOU



[www.guhher.com](http://www.guhher.com)

**GUHHER**<sup>®</sup>  
ALÜMİNYUM TEKNOLOJİLERİ



2582-23

Weight (kg/m) 2,930 KG/M



2583-23

Weight (kg/m) 0,878 KG/M



2574-23

Weight (kg/m) 1,089 KG/M



2579-23

Weight (kg/m) 1,095 KG/M



2627-23

Weight (kg/m) 0,537 KG/M



2572-23

Weight (kg/m) 0,431 KG/M



2571-23

Weight (kg/m) 0,602 KG/M



2575-23

Weight (kg/m) 0,764 KG/M



2575-23

Weight (kg/m) 0,764 KG/M



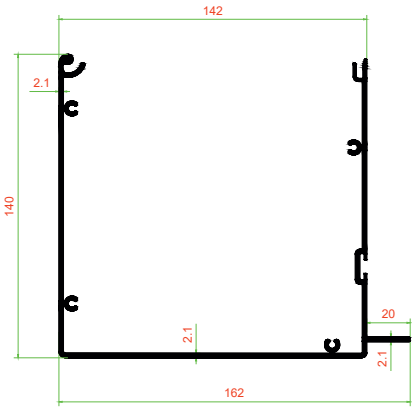
2581-23

Weight (kg/m) 1,160 KG/M

\* ALUMINUM PARTS  
\* POWDER COATING  
\* RAL COLOR

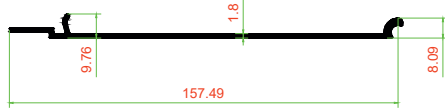


[www.guhher.com](http://www.guhher.com)



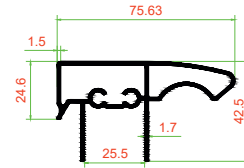
2582-23

Weight (kg/m) 2,930 KG/M



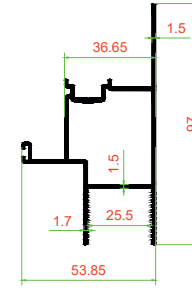
2583-23

Weight (kg/m) 0,878 KG/M



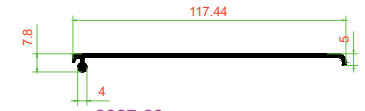
2579-23

Weight (kg/m) 1,095 KG/M



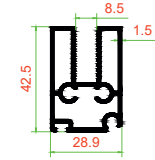
2574-23

Weight (kg/m) 1,089 KG/M



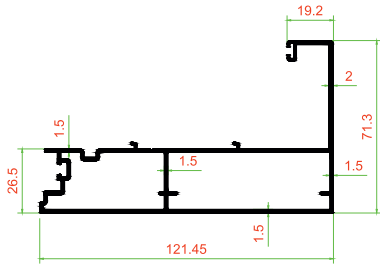
2627-23

Weight (kg/m) 0,537 KG/M



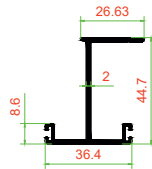
2575-23

Weight (kg/m) 0,764 KG/M



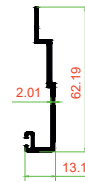
2570-23

Weight (kg/m) 1,770 KG/M



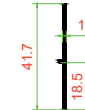
2571-23

Weight (kg/m) 0,602 KG/M



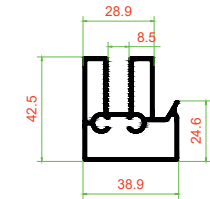
2572-23

Weight (kg/m) 0,431 KG/M



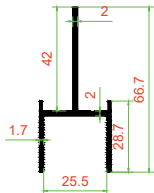
2573-23

Weight (kg/m) 0,176 KG/M



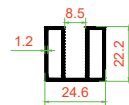
2575-23

Weight (kg/m) 0,764 KG/M



2576-23

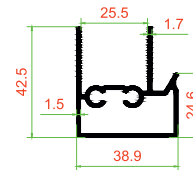
Weight (kg/m) 0,602 KG/M



2580-23

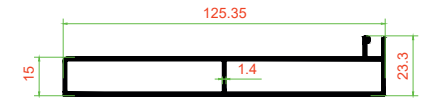
Weight (kg/m) 0,379 KG/M

\* ALUMINUM PARTS



2575-23

Weight (kg/m) 0,764 KG/M



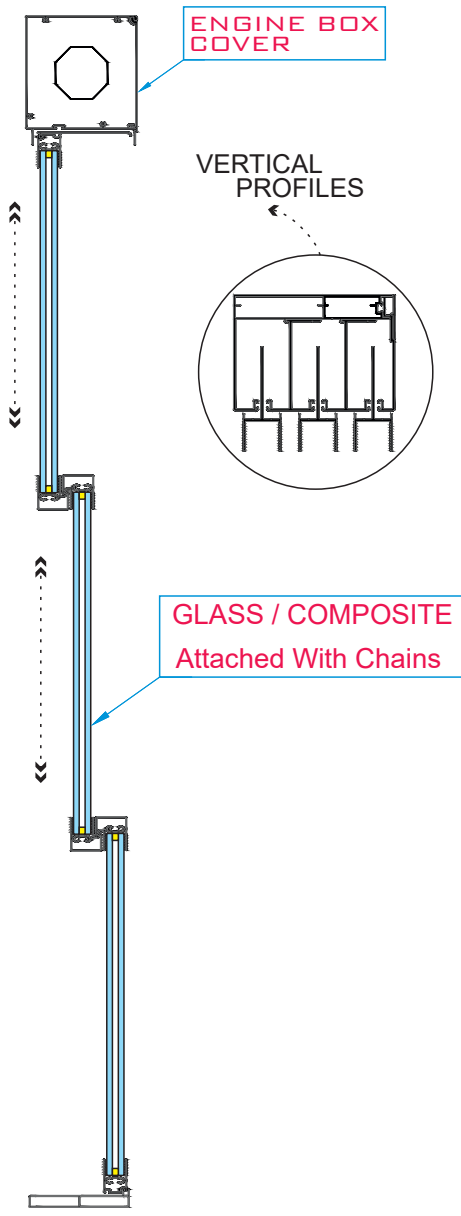
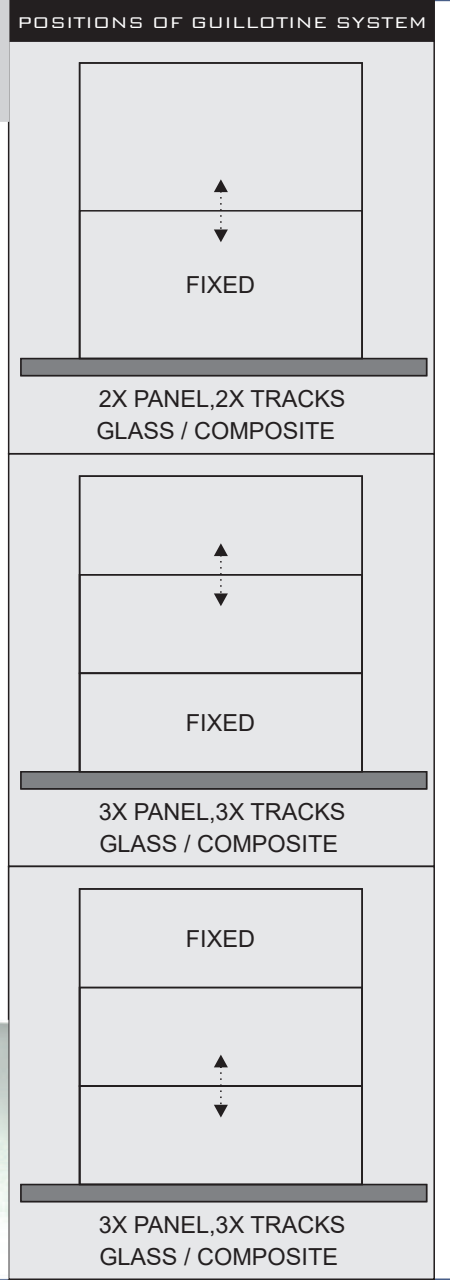
2581-23

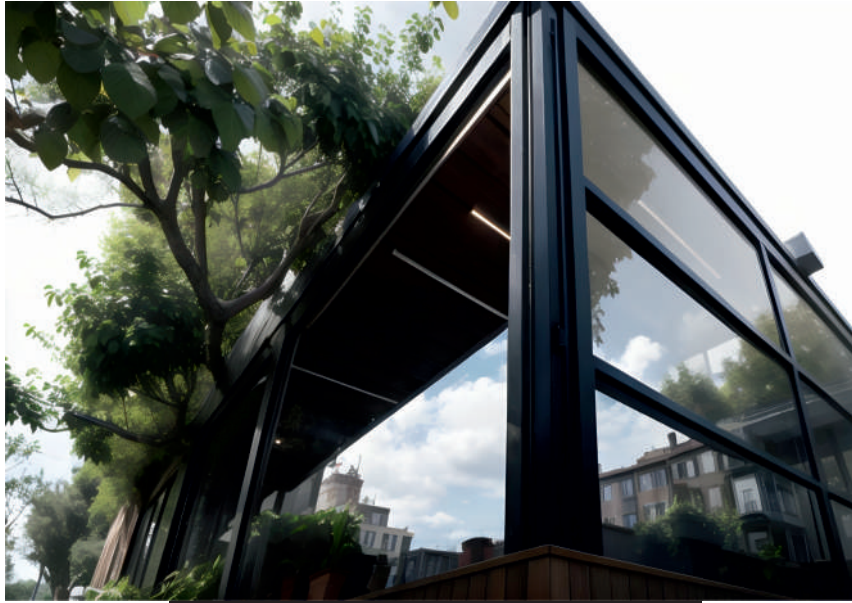
Weight (kg/m) 1,160 KG/M





- Aluminum (AL)
- Stainless Component
- Motorized System
- Remote Control
- 2 Years Warranty
- Tempered Glass
- Eco Friendly
- Water Proof
- Insulation
- CE Certificated





HOTELS / APARTMENTS / RESTAURANTS



TUO MAY USE THIS SYSTEM ANYWHERE



[www.guhher.com](http://www.guhher.com)

**GUHHER**<sup>®</sup>  
ALÜMİNYUM TEKNOLOJİLERİ

SLIDING GLASS

WOHELL

WE CAN  
CREATE PRIVATE AND  
SECURE SPACE FOR YOU

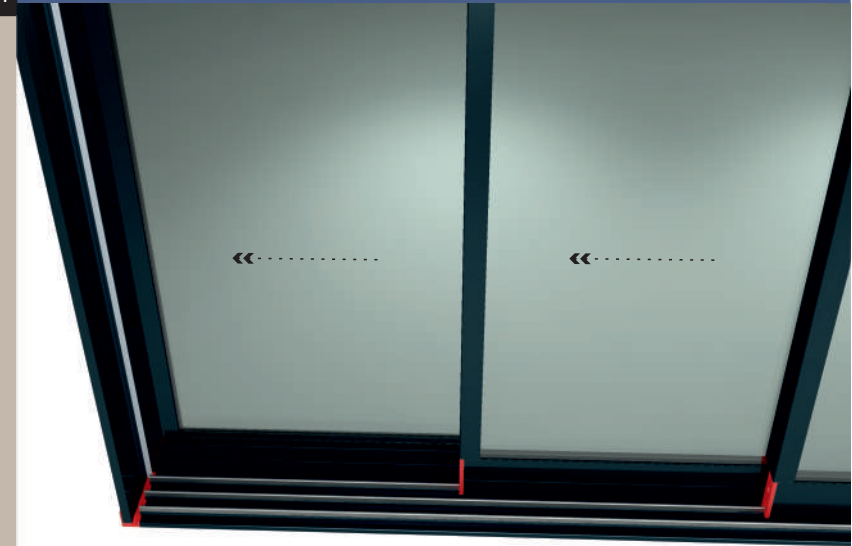
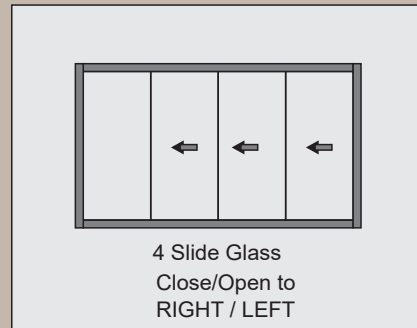
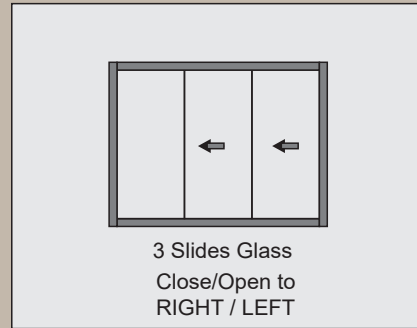
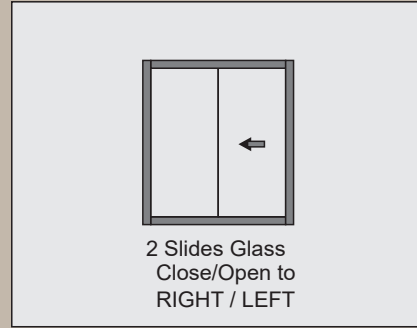


[www.guher.com](http://www.guher.com)

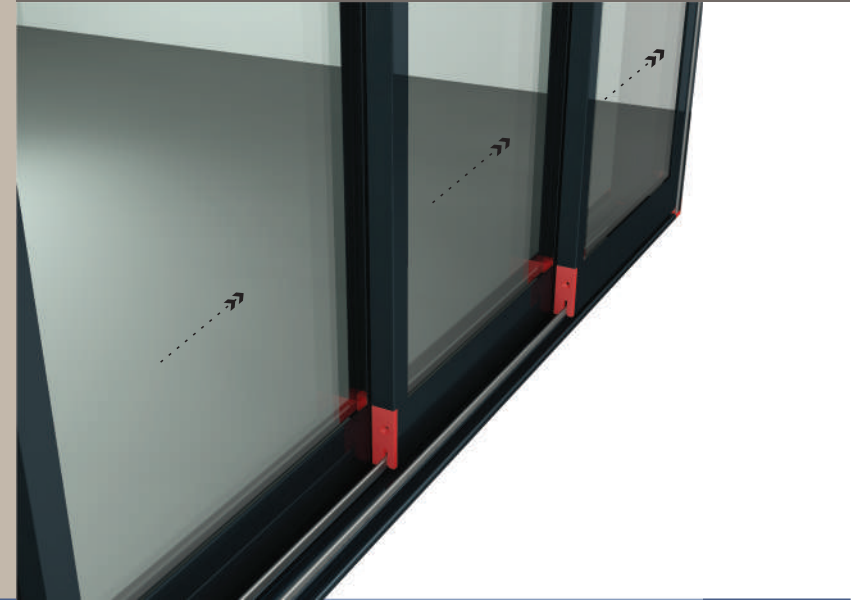


THE NEW SLIDING SYSTEMS HAVE ENHANCED  
THE KNOWN STRENGTHS OF WITH A NEW QUALITY

EFFECTIVE SOUND ATTENUATION.



QUIET AND COMFORTABLE



2487-23

Weight (kg/m) 0,707 KG/M



2489-23

Weight (kg/m) 0,476 KG/M



2490-23

Weight (kg/m) 0,948 KG/M



2486-23

Weight (kg/m) 1,753 KG/M



2491-23

Weight (kg/m) 1,165 KG/M



2485-23

Weight (kg/m) 1,653 KG/M



2483-23

Weight (kg/m) 0,875 KG/M



2488-23

Weight (kg/m) 0,208 KG/M



2492-23

Weight (kg/m) 0,352 KG/M



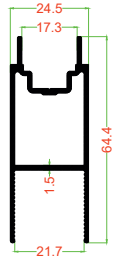
2484-23

Weight (kg/m) 1,013 KG/M



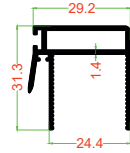
[www.guhher.com](http://www.guhher.com)

**GUHHER**<sup>®</sup>  
ALÜMİNYUM TEKNOLOJİLERİ



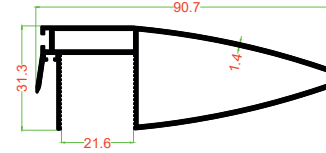
2487-23

Weight (kg/m) 0,707 KG/M



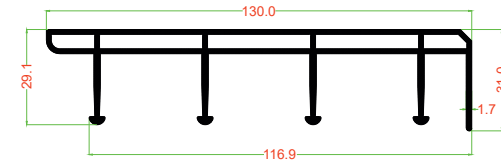
2489-23

Weight (kg/m) 0,476 KG/M



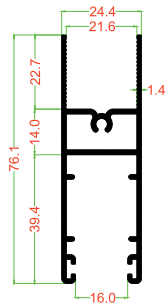
2490-23

Weight (kg/m) 0,948 KG/M



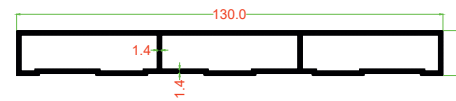
2486-23

Weight (kg/m) 1,753 KG/M



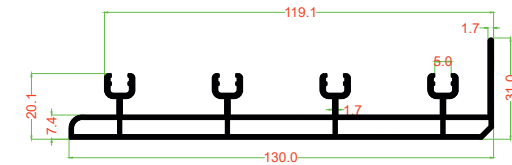
2483-23

Weight (kg/m) 0,875 KG/M



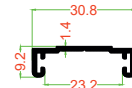
2491-23

Weight (kg/m) 1,165 KG/M



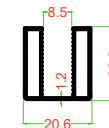
2485-23

Weight (kg/m) 1,653 KG/M



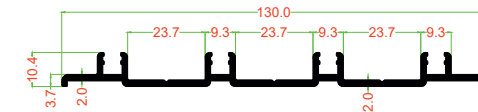
2488-23

Weight (kg/m) 0,208 KG/M



2492-23

Weight (kg/m) 0,352 KG/M

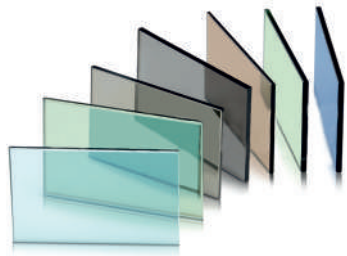
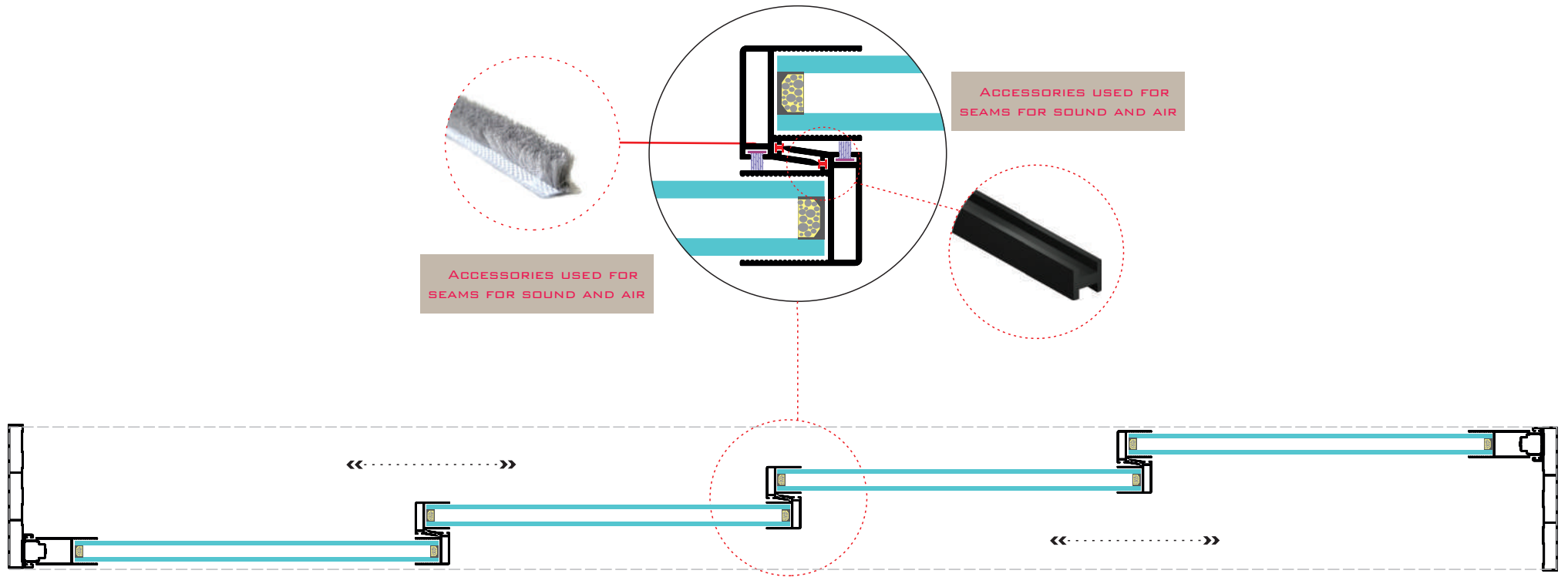


2484-23

Weight (kg/m) 1,013 KG/M







SINGLE GLAZING



DOUBLE GLAZING



YOU MAY USE THIS SYSTEM ANYWHERE



HOTELS / APARTMENTS / RESTAURANTS



[www.guhher.com](http://www.guhher.com)

**GUHHER**<sup>®</sup>  
ALÜMİNYUM TEKNOLOJİLERİ

**WOHELL**

be-GOTTA

**HELLDACH**

**VON BËSSE**

**GUHHER**<sup>®</sup>  
ALÜMİNYUM TEKNOLOJİLERİ



[www.guhher.com](http://www.guhher.com)

Aluminum



Stainless  
Component



Motorized  
System



Remote  
Control



2 Years  
Warranty



Tempered  
Glass



Eco  
Friendly



Water  
Proof



Insulation



CE  
Certificated

